

The new FUNK 57000 Pump Drive is designed with wider center distances to accommodate larger pumps.

The use of larger hydraulic pumps has created a need for pump drives with wider center distances to accommodate the increased pump sizes.

The new FUNK 57000 series of pump drives provides two models, one with 14" between pump mounting pads and the second with 16" between pump mounting pads. Each drive will accommodate 4 pumps with maximum input of 950 hp and maximum output per pump pad of 950 hp.

A lube pump supplies oil to all gear meshes, splines and bearings at all times using internal plumbing in the casting. There are no external lines to leak or become broken.

The new drives employ high contact ratio spur gears for quiet operation and ball bearings for continued ease of service.

Standard pump adapters are SAE B through E. Plans include accommodation of metric size splines and flanges.

57000 PUMP DRIVE

RATINGS

Input Torque (Max.)
2,000 lb.-ft. (2710 Nm)

Output Torque (Max.)
2,000 lb.-ft. (2710 Nm) per Pump Pad

Input or Output Speed (Max.)
2,500 rpm

Input Power (Max.)
950 hp (708 kW)

Output Power (Max.)
950 hp (708 kW) per Pump Pad

PUMP ROTATION

Anti-Enginewise

OIL:

Any oil which meets EP gear lubrication Spec MIL-L-2105C or API classification GL-5.

GEAR RATIOS:

(high contact ratio spur gears)

14" centers

.67:1 .87:1 1:1 1.2:1

16" centers

.77:1 .83:1 1:1 1.2:1

APPROXIMATE WEIGHT:

14" centers

5714PXXXXX 725 lb. (329 kg)

5714CXXXXX 775 lb. (352 kg)

5714RXXXXX 700 lb. (318 kg)

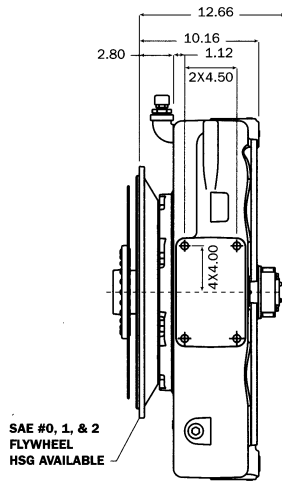
16" centers

5716PXXXXX 770lb. (350 kg)

5716CXXXXX 920 lb. (418 kg)

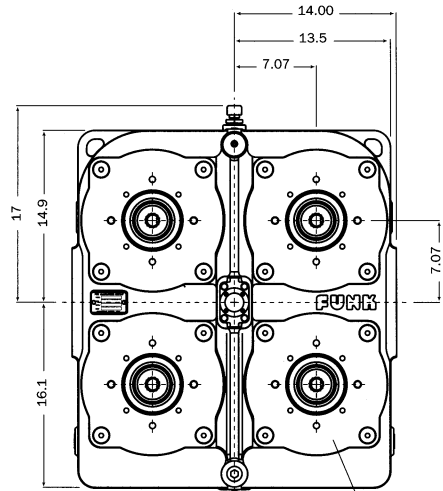
5716RXXXXX 735 lb. (334 kg)

Installation drawings show drive plate versions, model 5714PXXXXX and model 5716PXXXXX. Clutch drive, models 5714CXXXXX and 5716CXXXXX and remote input, models 5714RXXXXX and model 5716RXXXXX, are also available.

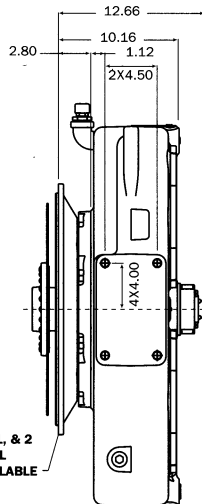


SAE #0, 1, & 2 FLYWHEEL HSG AVAILABLE

5714PXXXXX

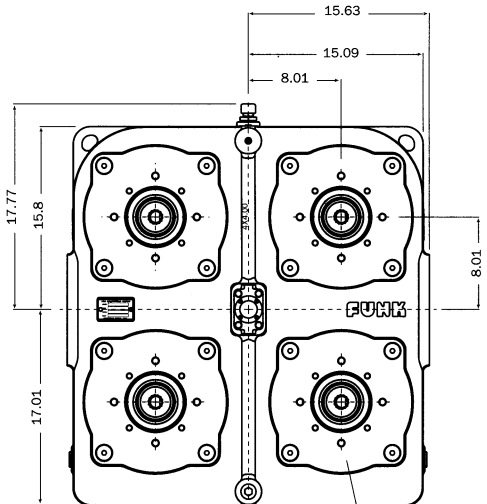


SAE C, D, & E PUMP MTG AVAILABLE (4 POSITIONS)



SAE #0, 1, & 2 FLYWHEEL HSG AVAILABLE

5716PXXXXX



SAE C, D, & E PUMP MTG AVAILABLE (4 POSITIONS)

FUNK MANUFACTURING COMPANY

Industrial Park
HWY 169 N. PO Box 577
Coffeyville, KS, USA
67337-0577
Phone 316-252-3400
FAX 316-252-3252

In Europe, Contact FUNK at:
Doornelei, 24
2018 Antwerpen
Belgium
Phone 32.3.238.89.69
FAX 32.3.248.54.98