

# Series 28000 Double 152.7 mm (6 in) Gear Centers

## Ratings

- Max Input Torque:** 750 lb-ft (1017 Nm)
- Max Output Torque:** 650 lb-ft (881 Nm) per pump pad
- Max Input or Output Speed:** 3000 rpm
- Max Input Power:** 360 hp (268 kW)
- Max Output Power:** 360 hp (268 kW) per pump pad

For further explanation of ratings, see service factors on page 5.

## Pump rotation

Anti-enginewise

## Oil

Any oil that meets EP gear lubrication specification MIL-L-2105C or API classification GL-5.

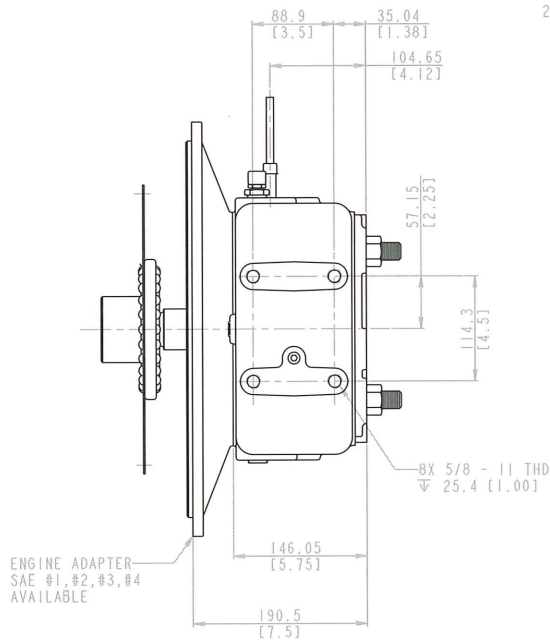
## Approximate weight

2826XXP	175 lb (80 kg)
2826XR	165 lb (75 kg)
2826XXC	230 lb (105 kg)

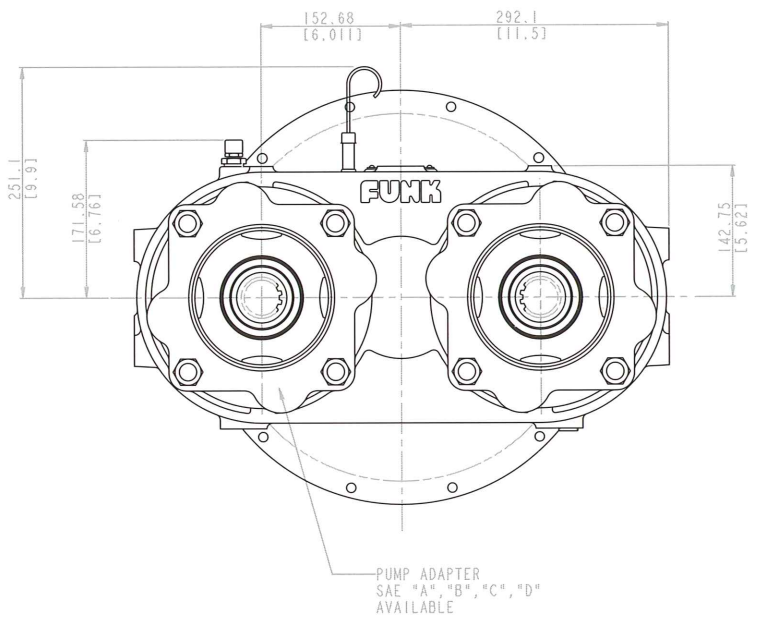
## Option selections

Refer to pages 22 – 23.

2826XXP

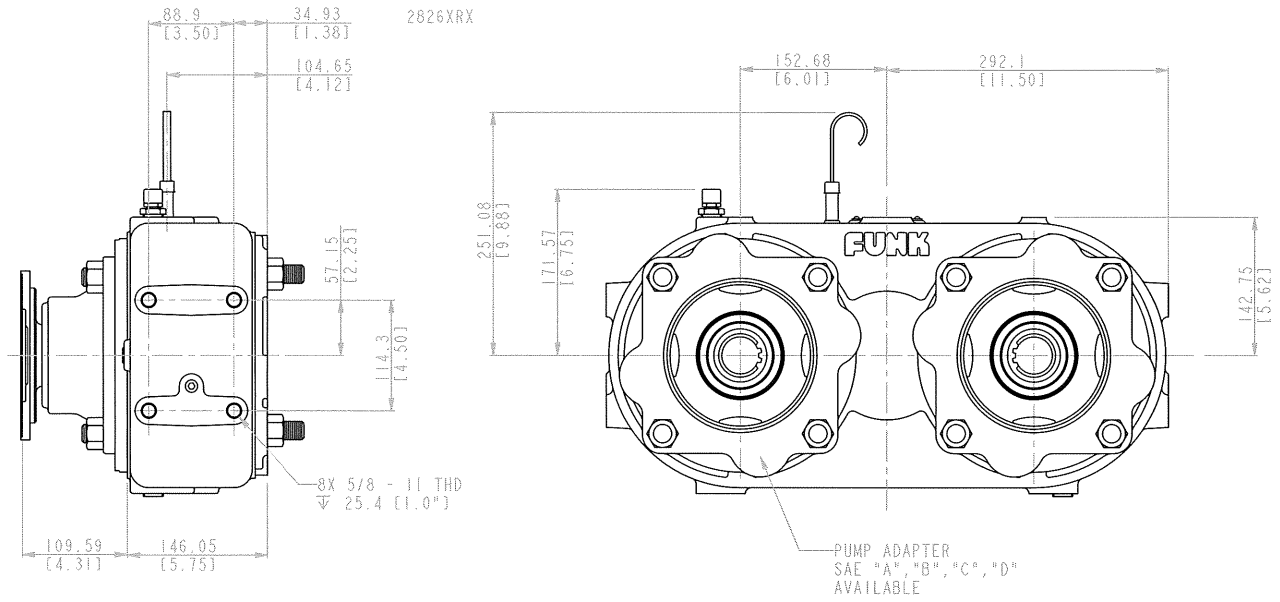


2826XXPXX

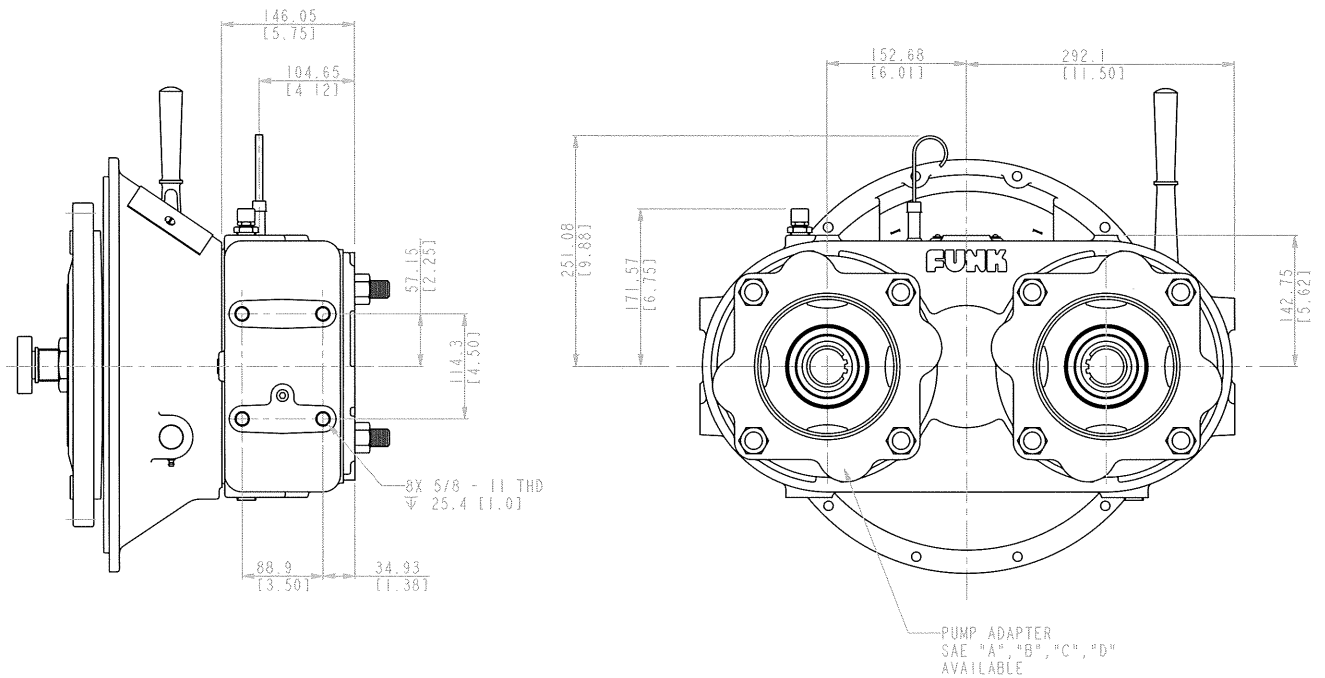


..... SPECIFICATIONS mm (in)

2826XR



2826XC



# Series 28000 Option Selections

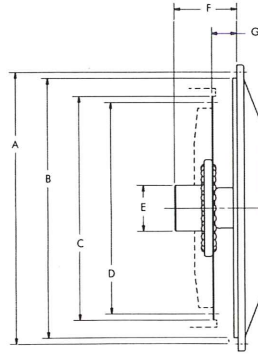
## Input

FLYWHEEL COVER HOUSING in (mm)			
SAE Size	A Dimension	B. Dimension	Bolts Required
1 <sup>4</sup>	20.875 (530.2)	20.125 (511.2)	12-7/16 (11.1)-14
2	18.375 (466.7)	17.625 (447.7)	12-3/8 (9.5)-16
3	16.875 (428.6)	16.125 (409.6)	12-3/8 (9.5)-16
4	15.000 (381.0)	14.250 (362.0)	12-3/8 (9.5)-16
5 <sup>1,2</sup>	13.125 (333.4)	12.375 (314.3)	8-3/8 (9.5)-16

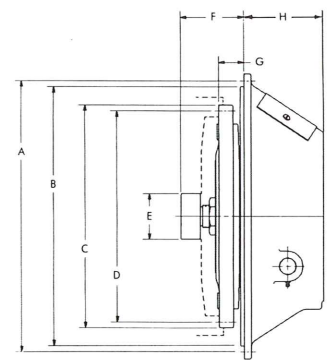
<sup>1</sup> Available on 28105 only.

<sup>2</sup> Not available on 281FC.

Plate-driven



Clutch-driven



CLUTCH COVER HOUSING in (mm)				
SAE Size	A Dimension	B Dimension	H Dimension	Bolts Required
1 <sup>5</sup>	20.875 (530.2)	20.125 (511.2)	9.625 (244.5)	12-7/16 (11.1)-14
1	20.875 (530.2)	20.125 (511.2)	4.875 (123.8)	12-7/16 (11.1)-14
2	18.375 (466.7)	17.625 (447.7)	4.875 (123.8)	12-3/8 (9.5)-16
2 <sup>3,4</sup>	18.375 (466.7)	17.625 (447.7)	6.625 (168.3)	12-3/8 (9.5)-16
2 <sup>3</sup>	18.375 (466.7)	17.625 (447.7)	9.625 (244.5)	12-3/8 (9.5)-16
3	16.875 (428.6)	16.125 (409.6)	4.875 (123.8)	12-3/8 (9.5)-16
3 <sup>3</sup>	16.875 (428.6)	16.125 (409.6)	9.625 (244.5)	12-3/8 (9.5)-16
4	15.000 (381.0)	14.250 (362.0)	4.875 (123.8)	12-3/8 (9.5)-16

<sup>3</sup> SP-211 only.

<sup>4</sup> Not available on 28T.

<sup>5</sup> SP-211 or SP-114.

DRIVE PLATE ASSEMBLY in (mm)							
Nominal Clutch Size	C Dimension	D Dimension	E Dimension	F Dimension	G Dimension	Holes	Hole Size
8 (203.2)	10.375 (263.5)	9.625 (244.5)	2.04 (51.8) or 2.44 (62.0)	3.94 (100.0)	2.44 (62.0)	6	13/32 (10.3)
10 (254.0)	12.375 (314.3)	11.625 (295.3)	2.44 (62.0) or 2.83 (71.9)	3.94 (100.0)	2.12 (53.8)	8	13/32 (10.3)
11-1/2 (292.1)	13.875 (352.4)	13.125 (333.4)	2.44 (62.0) or 2.83 (71.9)	3.94 (100.0)	1.56 (39.6) or 2.12 (53.8)	8	13/32 (10.3)
14 (355.6)	18.375 (466.7)	17.250 (438.2)	2.83 (71.9) or 3.15 (80.0)	3.94 (100.0)	1.00 (25.4)	8	17/32 (13.5)

PUMP DRIVE CLUTCH DATA in (mm)									
Nominal Clutch Size	Clutch No.	Working Torque	C Dimension	D Dimension	E Dimension (Pilot Bearing)	F Dimension	G Dimension	Holes	Hole Size
8 (203.2)	T.D. C-108	228 lb-ft (309 Nm)	10.375 (263.5)	9.625 (244.5)	2.04 (51.8) or 2.44 (62.0)	3.94 (100.0)	2.44 (62.0)	6	13/32 (10.3)
10 (254)	T.D. C-110	328 lb-ft (444.4 Nm)	12.375 (314.3)	11.625 (295.3)	2.83 (72.0) or 2.44 (62.0)	3.94 (100.0)	2.12 (53.8)	8	13/32 (10.3)
11-1/2 (292.1)	T.D. C-111	387 lb-ft (524.4 Nm)	13.875 (352.4)	13.125 (333.4)	2.83 (72.0) or 2.44 (62.0)	3.94 (100.0)	1.56 (39.6) or 2.12 (53.8)	8	13/32 (10.3)
11-1/2 (292.1)	T.D. SP-211	910 lb-ft (1233.1 Nm)	13.875 (352.4)	13.125 (333.4)	2.83 (72.0) or 2.44 (62.0)	3.94 (100.0)	1.56 (39.6) or 2.12 (53.8)	8	13/32 (10.3)
14 (355.6) <sup>6</sup>	T.D. SP-114	810 lb-ft (1097.6 Nm)	18.375 (466.7)	17.250 (438.2)	3.15 (80.0) or 2.83 (72.0)	3.94 (100.0)	1.00 (25.4)	8	17/32 (13.5)

<sup>6</sup> Not available on 28T.

# SPECIFICATIONS in (mm)

## Gear ratios

### 28000 Single and Double

5 in (127 mm)

1:1    1.12:1    1.41:1    1.59:1    0.63:1    0.71:1    0.89:1

### 28000 Triple and Double

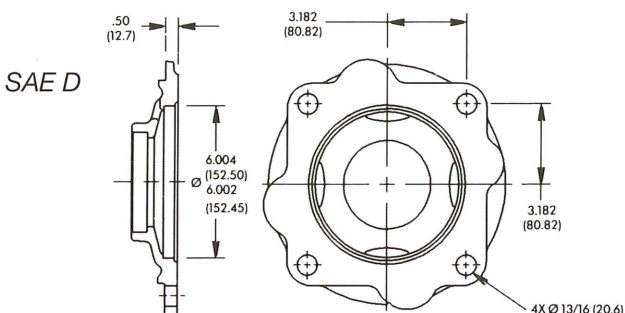
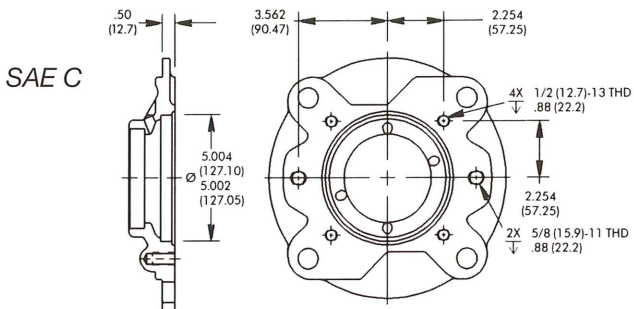
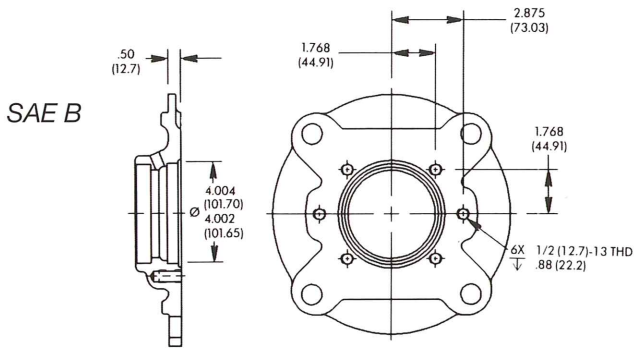
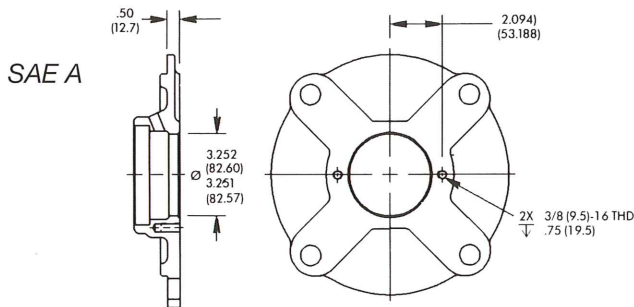
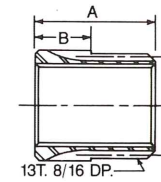
6 in (152 mm)

1:1    1.10:1    1.27:1    1.40:1    1.54:1    0.65:1    0.71:1    0.79:1    0.91:1

## Pump adapter plates

These pump adapter plates are available for Series 28000 (except 28T) models.

Sleeve adapter

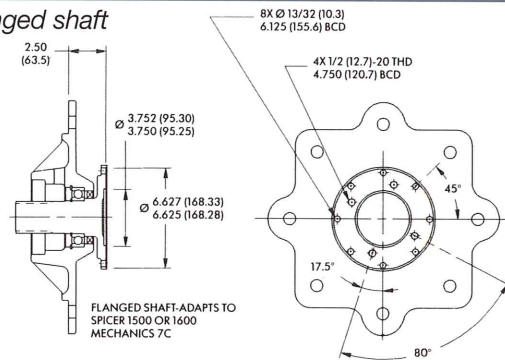


## Output

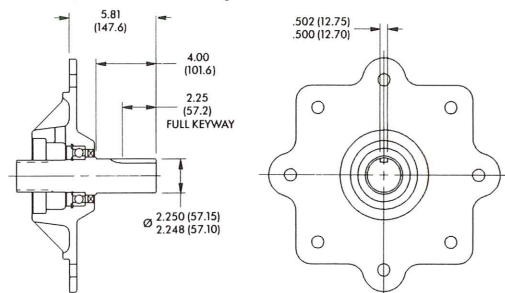
PUMP ADAPTER SLEEVES in (mm)			
SAE Size	A Dim.	B Dim.	Internal Spline
B	1.81 (46.0)	.75 (19.1)	7/8 (22.2)-13T. 16/32 P.
C	2.00 (50.8)	.94 (23.9)	1-1/4 (31.8)-14T. 12/24 P.
	1.87 (47.5)	.81 (20.6)	1-1/4 (31.8)-14T. 12/24 P.
BB	2.00 (50.8)	.94 (23.9)	1-3/8 (34.9)-21T. 16/32 P.
			1 (25.4)-15T. 16/32 P.

## INPUT OR OUTPUT DRIVE ASSEMBLIES in (mm)

### Flanged shaft



### 2-1/4 (57.2) Diameter keyed shaft



### 1-3/8 (34.9)-10 Straight-side splined shaft

