

Series 57000 Four (14 in centers)

Ratings

- Max Input Torque:** 2000 lb-ft (2712 Nm) or clutch rating-dependent
- Max Output Torque:** 2000 lb-ft (2712 Nm) per pump pad
- Max Input or Output Speed:** 2500 rpm
- Max Input Power:** 950 hp (708 kW) or clutch rating-dependent
- Max Output Power:** 950 hp (708 kW) per pump pad

Pump rotation

Anti-enginewise

Oil

John Deere HY-GARD or any oil that meets John Deere standard JDM J20C.

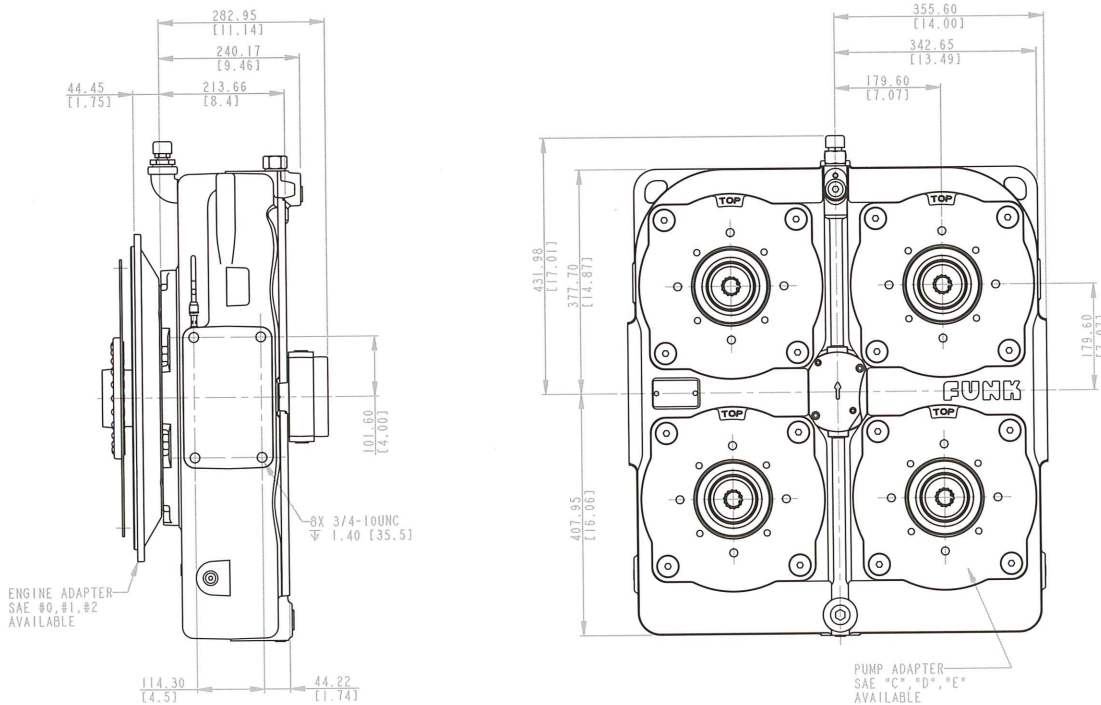
Approximate weight

5714P	725 lb (329 kg)
5714R	700 lb (318 kg)
5714C	775 lb (352 kg)

Option selections

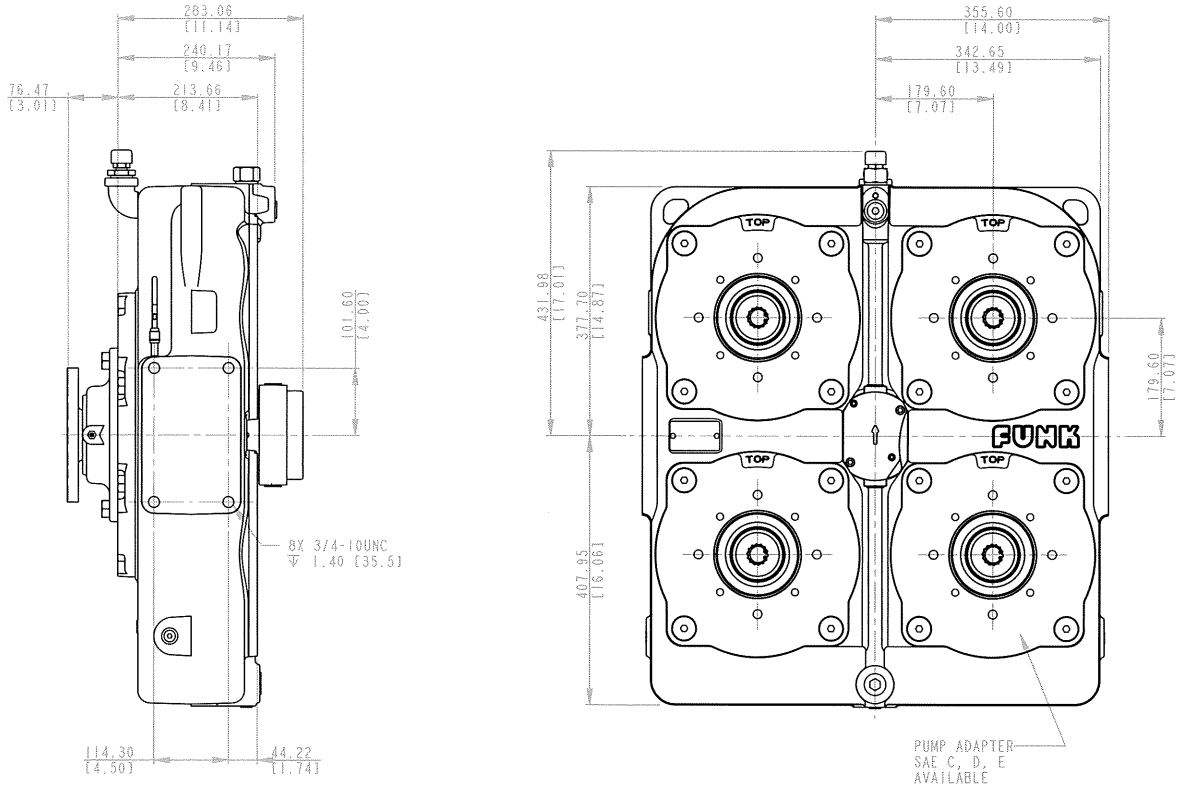
Refer to pages 50 – 51.

5714P

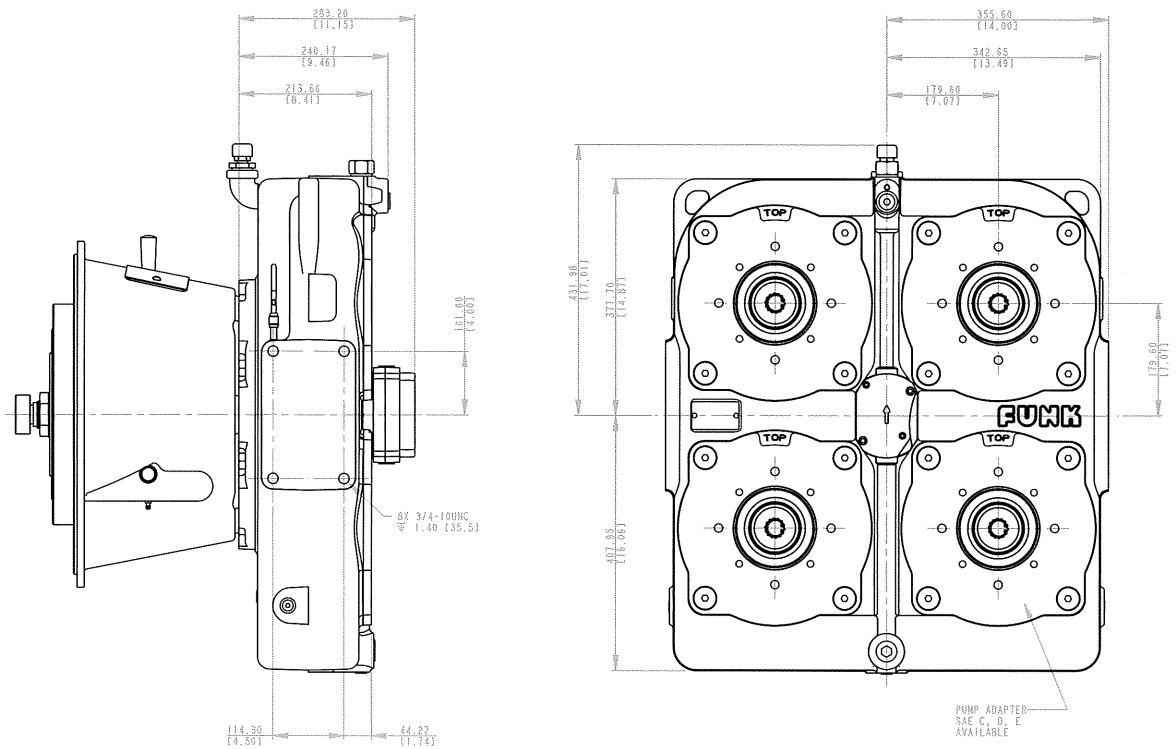


..... SPECIFICATIONS mm (in)

5714R



5714C

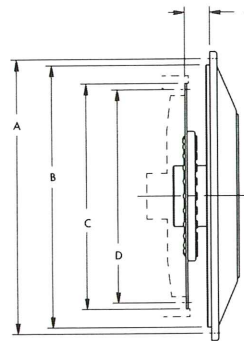


Series 57000 Option Selections

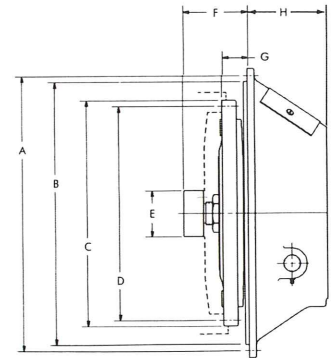
Input

FLYWHEEL COVER HOUSING in (mm)			
SAE Size	A Dimension	B Dimension	Bolts Required
0	26.750 (679.5)	25.500 (647.7)	16-1/2 (12.7)-13
1	20.875 (530.2)	20.125 (511.2)	12-7/16 (11.1)-14
2	18.375 (466.7)	17.625 (447.7)	12-3/8 (9.5)-16

Plate-driven



Clutch-driven



CLUTCH COVER HOUSING in (mm)				
SAE Size	A Dimension	B Dimension	H Dimension	Bolts Required
1	20.875 (530.2)	20.125 (511.2)	10.250 (260.4)	12-7/16 (11.1)-14

DRIVE PLATE ASSEMBLY in (mm)					
Nominal Clutch Size	C Dimension	D Dimension	G Dimension	Holes	Hole Size
11-1/2 (292.1)	13.875 (352.4)	13.125 (333.4)	1.56 (39.6)	8	13/32 (10.3)
14 (355.6)	18.375 (466.7)	17.250 (438.2)	1.00 (25.4)	16	17/32 (13.5)
18 (457.2)	22.5 (571.5)	21.375 (542.9)	.62 (15.7)	6	21/32 (16.7)

PUMP DRIVE CLUTCH DATA in (mm)									
Nominal Clutch Size	Clutch No.	Working Torque	C Dimension	D Dimension	E Dimension (Pilot Bearing)	F Dimension	G Dimension	Holes	Hole Size
11-1/2 (292.1)	T.D. SP-211	910 lb-ft (1233.1 Nm)	13.875 (352.4)	13.125 (333.4)	2.44 (62.0) or 2.83 (72.0)	3.94 (100.0)	1.56 (39.6)	8	13/32 (10.3)
14 (355.6)	T.D. SP-114	810 lb-ft (1097.6 Nm)	18.375 (466.7)	17.250 (438.2)	2.83 (72.0) or 3.15 (80.0)	3.94 (100.0)	1.00 (25.4)	8	17/32 (13.5)
14 (355.6)	T.D. SP-214	1620 lb-ft (2195 Nm)	18.375 (466.7)	17.250 (438.2)	2.83 (72.0) or 3.15 (80.0)	3.94 (100.0)	1.00 (25.4)	8	17/32 (13.5)

SPECIFICATIONS in (mm)

Gear ratios

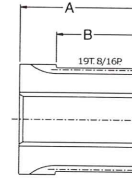
57000 Four (14 in centers)

0.67:1 0.83:1 1:1 1.2:1

57000 Four (16 in centers)

0.77:1 0.83:1 1:1 1.2:1

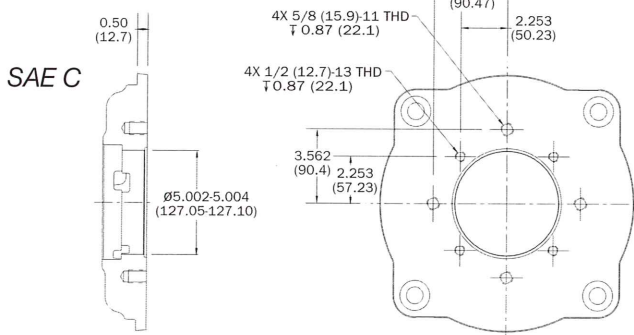
Spline adapter



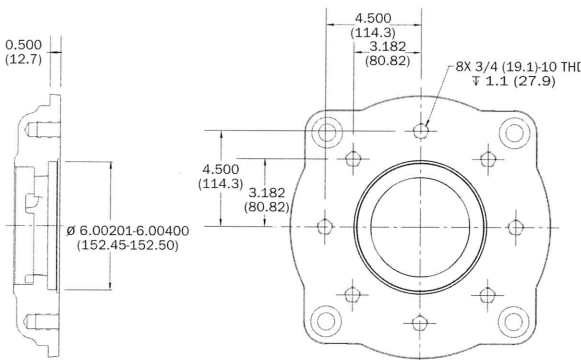
Output

PUMP ADAPTER SLEEVES in (mm)			
SAE Size	A Diameter	B Diameter	Internal Spline
C	2.88 (73.15)	2.00 (50.80)	14T. 12/24P.
D	2.5 (63.5)	1.88 (47.78)	13T. 8/16P.
E	2.5 (63.5)	1.88 (47.78)	13T. 8/16P.

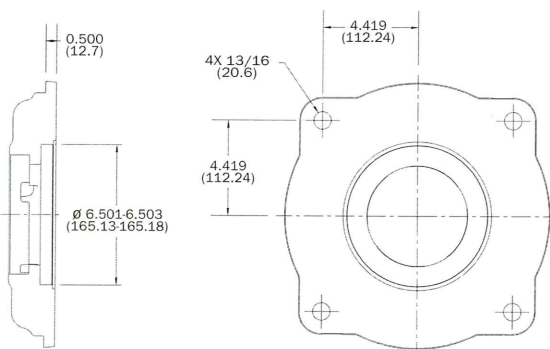
PUMP ADAPTER PLATES in (mm)



SAE D



SAE E



INPUT DRIVE ASSEMBLIES in (mm)

