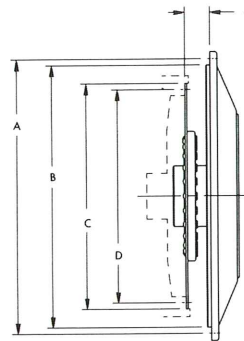


Series 57000 Option Selections

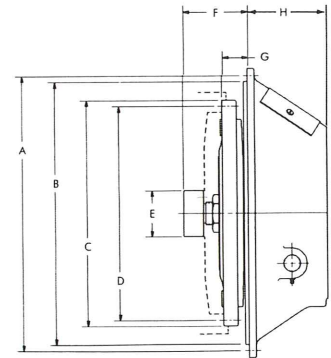
Input

FLYWHEEL COVER HOUSING in (mm)			
SAE Size	A Dimension	B Dimension	Bolts Required
0	26.750 (679.5)	25.500 (647.7)	16-1/2 (12.7)-13
1	20.875 (530.2)	20.125 (511.2)	12-7/16 (11.1)-14
2	18.375 (466.7)	17.625 (447.7)	12-3/8 (9.5)-16

Plate-driven



Clutch-driven



CLUTCH COVER HOUSING in (mm)				
SAE Size	A Dimension	B Dimension	H Dimension	Bolts Required
1	20.875 (530.2)	20.125 (511.2)	10.250 (260.4)	12-7/16 (11.1)-14

DRIVE PLATE ASSEMBLY in (mm)					
Nominal Clutch Size	C Dimension	D Dimension	G Dimension	Holes	Hole Size
11-1/2 (292.1)	13.875 (352.4)	13.125 (333.4)	1.56 (39.6)	8	13/32 (10.3)
14 (355.6)	18.375 (466.7)	17.250 (438.2)	1.00 (25.4)	16	17/32 (13.5)
18 (457.2)	22.5 (571.5)	21.375 (542.9)	.62 (15.7)	6	21/32 (16.7)

PUMP DRIVE CLUTCH DATA in (mm)									
Nominal Clutch Size	Clutch No.	Working Torque	C Dimension	D Dimension	E Dimension (Pilot Bearing)	F Dimension	G Dimension	Holes	Hole Size
11-1/2 (292.1)	T.D. SP-211	910 lb-ft (1233.1 Nm)	13.875 (352.4)	13.125 (333.4)	2.44 (62.0) or 2.83 (72.0)	3.94 (100.0)	1.56 (39.6)	8	13/32 (10.3)
14 (355.6)	T.D. SP-114	810 lb-ft (1097.6 Nm)	18.375 (466.7)	17.250 (438.2)	2.83 (72.0) or 3.15 (80.0)	3.94 (100.0)	1.00 (25.4)	8	17/32 (13.5)
14 (355.6)	T.D. SP-214	1620 lb-ft (2195 Nm)	18.375 (466.7)	17.250 (438.2)	2.83 (72.0) or 3.15 (80.0)	3.94 (100.0)	1.00 (25.4)	8	17/32 (13.5)

SPECIFICATIONS in (mm)

Gear ratios

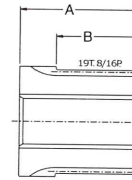
57000 Four (14 in centers)

0.67:1 0.83:1 1:1 1.2:1

57000 Four (16 in centers)

0.77:1 0.83:1 1:1 1.2:1

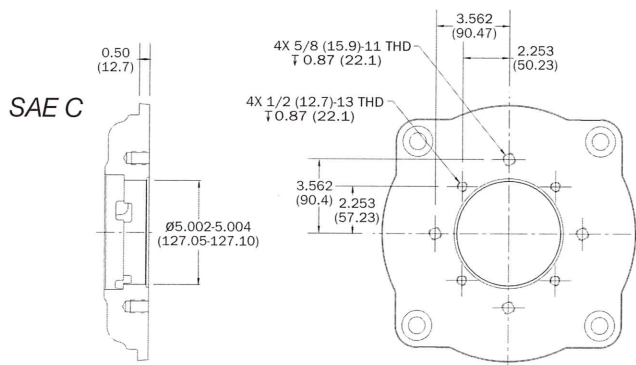
Spline adapter



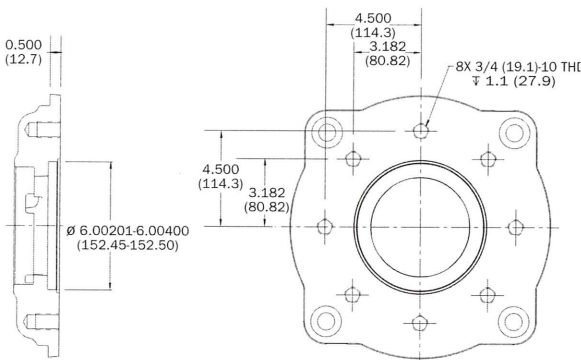
Output

PUMP ADAPTER SLEEVES in (mm)			
SAE Size	A Diameter	B Diameter	Internal Spline
C	2.88 (73.15)	2.00 (50.80)	14T. 12/24P.
D	2.5 (63.5)	1.88 (47.78)	13T. 8/16P.
E	2.5 (63.5)	1.88 (47.78)	13T. 8/16P.

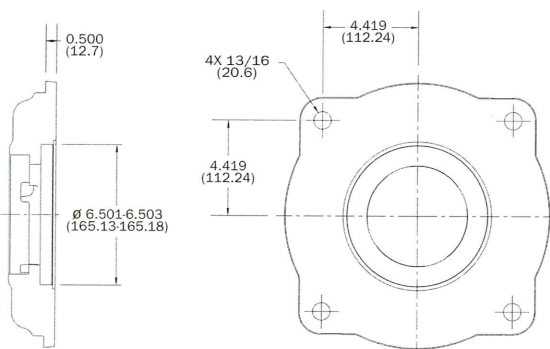
PUMP ADAPTER PLATES in (mm)



SAE D



SAE E



INPUT DRIVE ASSEMBLIES in (mm)

