

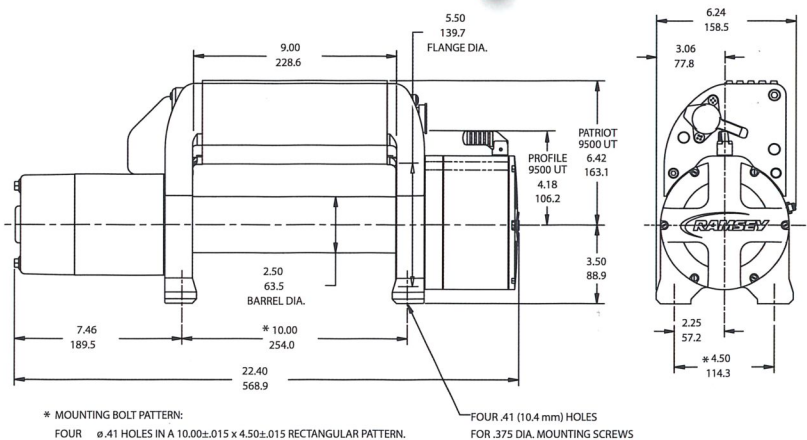
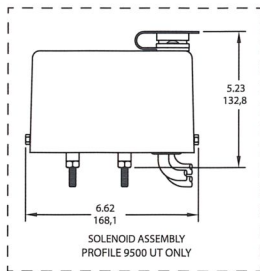
Patriot 9500 UT



Profile 9500 UT



With Patented Semi-Automatic Clutch



Note: Fairlead does not attach directly to winch. Dimensions shown are inches over millimeters.

Product Features

- Patented (US # 7,891,641) Semi-Automatic Clutch revolutionary design reduces winching time, increases user convenience
- Patented (US # 6,995,682) Wireless Remote can operate winch from up to 50' away
- Patriot 9500 UT features a sleek solenoid housing that adds structural integrity to the winch
- Profile 9500 UT features a weather resistant remote mounted solenoid assembly
- Sealed high torque 5.5 HP 12 V DC series wound electric reversible motor for increased pulling power
- Sealed drum and gear housing assembly to keep the elements out of the winch
- Motor and solenoids are grounded directly to battery
- Strong automatic load-holding brake for strength and reliability
- 6 ft (1.83 m) 2 gauge battery cables with connectors
- Limited lifetime warranty

Specifications

Rated line pull(single line) 9,500 lb (4,309 kg)
 Gear reduction ratio138:1 (12V)
 MotorSeries wound - 5.5 hp 12V DC
 Overall dimensions(LxWxH) 22.66" x 6.12" x 9.94"
 (576 mm x 156 mm x 252 mm)
 Drum sizeDiameter 2.5" (63 mm) Length 9" (228 mm)
 Weight93 lb (42 kg)
 Cable supplied105 ft (31.8 m) of 5/16" (8 mm) galvanized aircraft cable with replaceable clevis hook with safety latch
 Mounting bolt pattern10.00 \pm .015 in. x 4.50 \pm .015 in.
 (254.0 mm x 114.3 mm)

Line Speed and Amp Draw - First Layer

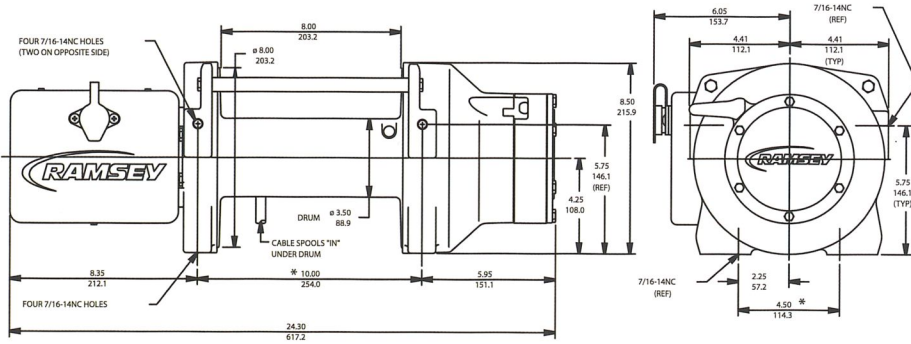
Line Pull	lb	no load	2,000	4,000	6,000	8,000	9,500
Speed	fpm	33.0	14.0	11.0	9.0	7.0	6.0
Motor Current	amps 12V	95	205	270	340	405	450

Line Pull and Cable Capacity

Layer of Cable	1	2	3	4	5
Rated Line Pull per Layer	lb 9,500	7,700	6,500	5,700	4,900
	kg 4,309	3,480	2,940	2,580	2,210
Cable Capacity per Layer	ft 15	35	60	90	105
	m 4	10	18	27	32

- Patriot 9500 UT 12V with Roller fairlead, 105' cable, wireless remote **Part# 109198**
 Patriot 9500 UT 12V with Aluminum Hawse fairlead, 100' synthetic rope, wireless remote **Part# 109212**
 Patriot Profile 9500 UT 12V with Roller fairlead, 105' cable, wireless remote **Part# 109209**
 Patriot Profile 9500 UT 12V with Aluminum Hawse fairlead, 100' synthetic rope, wireless remote **Part# 109215**

Patriot 15000



* MOUNTING BOLT PATTERN:
FOUR \varnothing .50 HOLES IN A 10.00±.015 x 4.50±.015 (254.0mm x 114.3mm) RECTANGULAR PATTERN.

Note: Fairlead does not attach directly to winch. Dimensions shown are inches over millimeters.

Product Features

- Efficient 5.5 HP 12 V DC series wound electric reversible motor for increased pulling power
- Proven three-stage planetary gear system design for fast line speed
- Motor and solenoids are grounded directly to battery
- Strong automatic load-holding brake for strength
- Easy to use and verify engagement spring loaded pull and rotate clutch design for free spooling - Patriot 15,000
- Weather resistant solenoid assembly
- The Patriot Series comes with either a 12 ft pendant or the patented (US # 6,995,682) wireless remote
- 6 ft (1,83 m) 2 gauge battery cables with connectors
- 4-way roller fairlead
- Limited lifetime warranty

Specifications

Rated line pull (single line) 15,000 lb (6,800 kg)
 Gear reduction ratio 251:1 (12 V)
 Motor Series wound - 5.5 hp 12V DC
 Overall dimensions (LxWxH) 24.3" x 8.5" x 11"
 (617 mm x 215 mm x 279 mm)
 Drum size Diameter 3.5" (88.9) Length 8" (203 mm)
 Weight 120 lb (54 kg)
 Cable supplied 90 ft (27,4 m) of 7/16" (11 mm) 6 x 25 galvanized EIPS wire rope with replaceable clevis hook with safety latch
 Mounting bolt pattern. 10.00 ± .015 in. x 4.50 ± .015 in.
 (254,0 mm x 114,3 mm) Foot - 4 Threaded Holes
 10.00+ .015 (254,0 mm) Side - 2 Threaded Holes

Line Speed and Amp Draw – First Layer

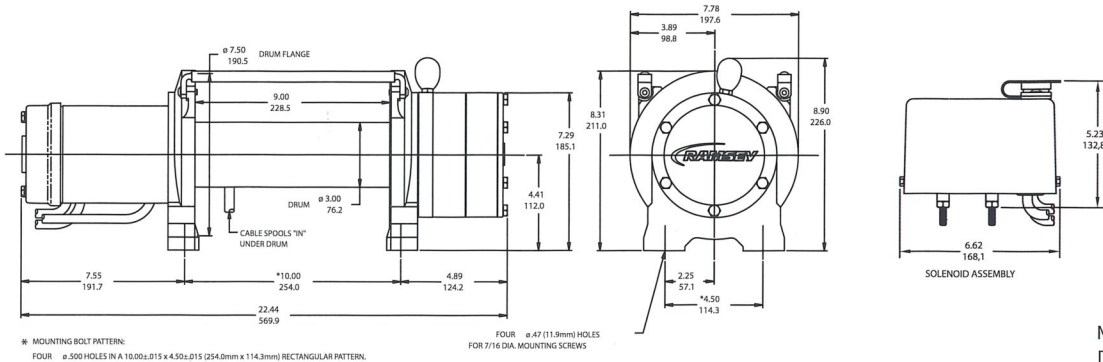
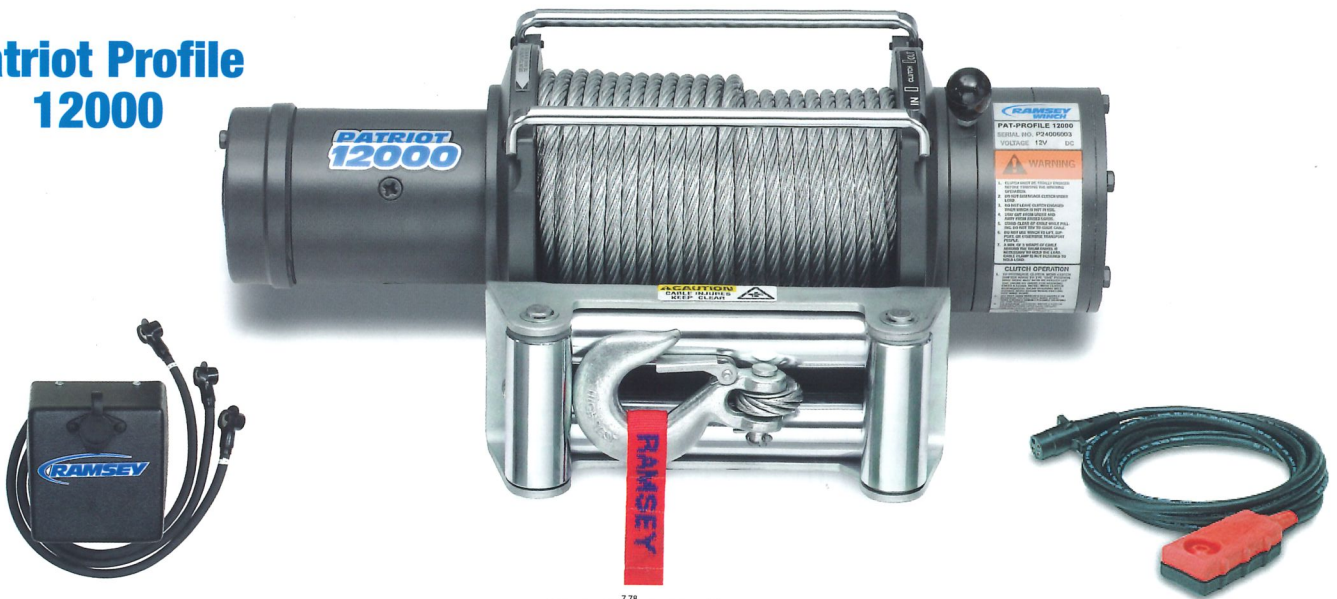
Line Pull	lb	no load	4,000	8,000	10,000	12,000	15,000
Line Speed	fpm	24.9	10.9	7.2	6.0	5.4	3.9
Speed	mpm	7.6	3.3	2.2	1.8	1.6	1.2
Motor Current	amps 12V	94	210	310	360	405	460

Line Pull and Cable Capacity

Layer of Cable	1	2	3	4
Rated Line Pull	lb 15,000	12,200	10,300	9,000
Pull per Layer	kg 6,800	5,533	4,672	4,082
Cable Capacity per Layer	ft 15	35	60	90
	m 4	10	18	27

- Patriot 15,000 R 12V with 12 ft pendant **Part# 109159**
- Patriot 15,000 R 12V with wireless remote. **Part# 109160**
- Patriot 15,000 R 24V with 12 ft pendant **Part# 109172**
- Patriot 15,000 R 12V CE with 12 ft pendant **Part# 109177**
- Patriot 15,000 R 24V CE with 12 ft pendant **Part# 109190**
- R - 4-way roller fairlead

Patriot Profile 12000



Note: Fairlead does not attach directly to winch. Dimensions shown are inches over millimeters.

Product Features

- Efficient 5.5 HP 12 V DC series wound electric reversible motor for increased pulling power
- Proven three-stage planetary gear system design for fast line speed
- Motor and solenoids are grounded directly to battery
- Strong automatic load-holding brake for strength and reliability
- Cam action clutch disengages planetary gear system for free spooling - Patriot 12,000
- Weather resistant remote mounted solenoid assembly
- The Patriot Profile 12,000 comes with either a 12 ft pendant or the patented (US # 6,995,682) wireless remote
- 6 ft (1,83 m) 2 gauge battery cables with connectors
- Roller fairlead
- Limited lifetime warranty

Specifications

Rated line pull (single line) 12,000 lb (5,440 kg)
 Gear reduction ratio 194:1 (12V)
 Motor Series wound - 5.5 hp 12V DC
 Overall dimensions (LxWxH) 22.4" x 7.8" x 8.9"
 (568 mm x 198 mm x 226 mm)
 Drum size Diameter 3" (76 mm) Length 9" (229 mm)
 Weight Shipping: 112 lb (51 kg)
 Unit: 103 lb (47 kg)
 Cable supplied 125 ft (38.1 m) of 3/8" (9 mm) with
 replaceable 3/8" clevis hook with safety latch
 Mounting bolt pattern 10.00 ± .015 in. x 4.50 ± .015 in.
 (254.0 mm x 114.3 mm)

Line Speed and Amp Draw - First Layer

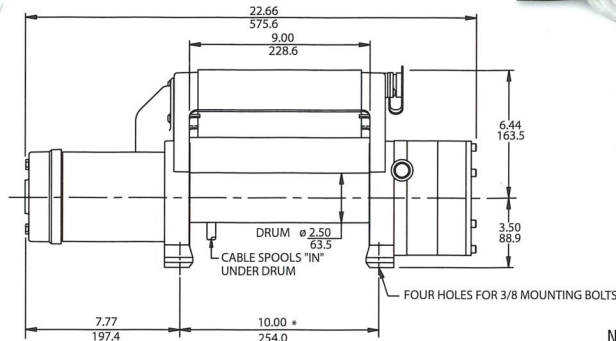
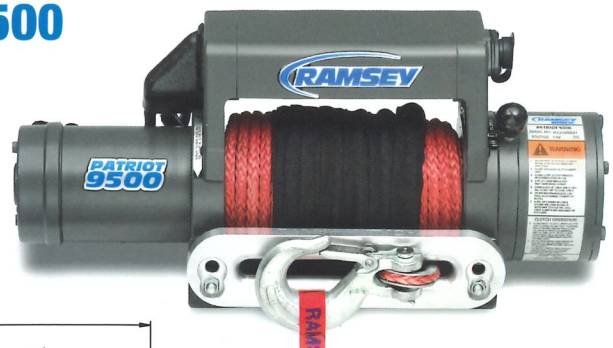
Line Pull	lb	no load	2,000	4,000	6,000	8,000	10,000	12,000
Speed	fpm	29	15	11	9	7	6	5
Speed	mpm	8.9	4.6	3.5	2.8	2.3	1.8	1.5
Motor Current	amps 12V	98	175	245	300	360	410	465

Line Pull and Cable Capacity

Layer of Cable		1	2	3	4	5
Rated Line Pull per Layer	lb	12,000	9,800	8,300	7,200	6,300
	kg	5,440	4,440	3,760	3,260	2,850
Cable Capacity per Layer	ft	15	40	65	100	125
	m	4	12	19	30	38

Patriot Profile 12,000 R 12V with 12 ft pendant **Part# 109194**
 Patriot Profile 12,000 R 12V with wireless remote **Part# 109196**
 Patriot Profile 12,000 R 24V CE with 12 ft pendant **Part# 109197**
 R - 4-way roller fairlead

Patriot 9500



Dimensions are the same for Patriot 9500 steel cable and synthetic rope

* MOUNTING BOLT PATTERN: FOUR ϕ .41 HOLES IN A 10.00 \pm .015 x 4.50 \pm .015 (254.0mm x 114.3mm) RECTANGULAR PATTERN.

Note: Fairlead does not attach directly to winch. Dimensions shown are inches over millimeters.

Product Features

- Efficient 5.5 HP 12 V DC series wound electric reversible motor for increased pulling power
- Proven three-stage planetary gear system design for fast line speed
- Motor and solenoids are grounded directly to battery
- Strong automatic load-holding brake for strength
- Cam action clutch disengages planetary gear system for free spooling
- Weather resistant integrated solenoid assembly
- The Patriot Series comes with either a 12 ft pendant or the patented (US # 6,995,682) wireless remote
- 6 ft (1,83 m) 2 gauge battery cables with connectors
- 4-way roller fairlead
- Limited lifetime warranty

Specifications

Rated line pull (single line) 9,500 lb (4,309 kg)
 Gear reduction ratio 138:1 (12 V)
 Motor Series wound - 5.5 hp 12V DC
 Overall dimensions (LxWxH) 22.66" x 6.12" x 9.94"
 (576 mm x 156 mm x 252 mm)
 Drum size Diameter 2.5" (63 mm) Length 9" (228 mm)
 Weight 93 lb (42 kg)
 Cable supplied 105 ft (31.8 m) of 5/16" (8 mm) galvanized aircraft cable with replaceable clevis hook with safety latch
 Mounting bolt pattern 10.00 \pm .015 in. x 4.50 \pm .015 in. (254,0 mm x 114,3 mm)

Line Speed and Amp Draw – First Layer

Line Pull	lb	kg	no load	2,000	4,000	6,000	8,000	9,500
Line Speed	fpm	mpm	35.4	16.7	12.7	10.6	9.0	7.8
Motor Current	amps	12V	97	180	260	335	395	430

Line Pull and Cable Capacity

Layer of Cable		1	2	3	4	5
Rated Line Pull per Layer	lb	9,500	7,780	6,600	5,725	5,050
	kg	4,309	3,528	2,993	2,596	2,290
Cable Capacity per Layer	ft	15	35	60	90	105
	m	4	10	18	27	36

Patriot 9500 R 12V with 12 ft pendant. **Part# 109153**
 Patriot 9500 R 12V with wireless remote. **Part# 109154**
 Patriot 9500 R 24V with 12 ft pendant. **Part# 109171**
 R - 4-way roller fairlead

Specifications

Rated line pull (single line) 9,500 lb (4,309 kg)
 Gear reduction ratio 138:1 (12 V)
 Motor Series wound - 5.5 hp 12V DC
 Overall dimensions (LxWxH) 22.66" x 6.12" x 9.94"
 (576 mm x 156 mm x 252 mm)
 Drum size Diameter 2.5" (63 mm) Length 9" (228 mm)
 Weight 80 lb (42 kg)
 Mounting bolt pattern 10.00 \pm .015 in. x 4.50 \pm .015 in. (254,0 mm x 114,3 mm)
 Synthetic rope supplied. 100 ft (30.5m) of 3/8" (9mm) Technora Synthetic Rope and oversized 1/2" clevis hook w/ safety latch

Line Speed and Amp Draw – First Layer

Line Pull	lb	kg	no load	2,000	4,000	6,000	8,000	9,500
Line Speed	fpm	mpm	35.4	16.7	12.7	10.6	9.0	7.8
Motor Current	amps	12V	97	180	260	335	395	430

Line Pull and Cable Capacity

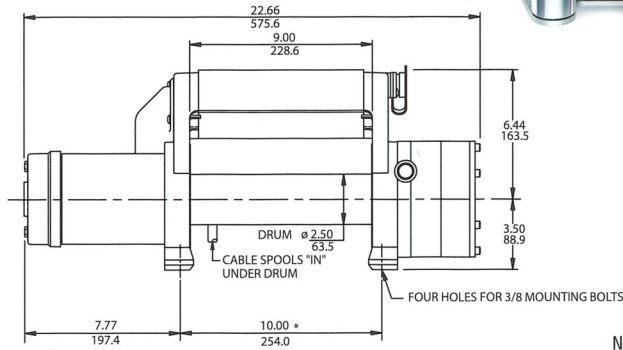
Layer of Cable		1	2	3	4	5
Rated Line Pull per Layer	lb	9,500	7,780	6,600	5,725	5,050
	kg	4,309	3,528	2,993	2,596	2,290
Cable Capacity per Layer	ft	15	35	60	90	105
	m	4	10	18	27	36

Patriot 9500 H 12V with Aluminum Hawse fairlead, synthetic rope and wireless remote. **Part# 109193**
 Patriot 9500 H 12V with Aluminum Hawse fairlead, synthetic rope and 12 ft pendant. **Part# 109192**
 H - Hawse fairlead

Note: Anchor not designed to hold load. A min. of 8 wraps of rope around the drum barrel required to hold the load.

Patriot 8000

Patriot 6000



Dimensions are the same for Patriot 8000 and 6000

* MOUNTING BOLT PATTERN: FOUR ϕ .41 HOLES IN A 10.00 \pm .015 x 4.50 \pm .015 (254.0mm x 114.3mm) RECTANGULAR PATTERN.

Note: Fairlead does not attach directly to winch. Dimensions shown are inches over millimeters.

Product Features

- Efficient 5.5 HP 12 V DC series wound electric reversible motor for increased pulling power
- Proven three-stage planetary gear system design for fast line speed
- Motor and solenoids are grounded directly to battery
- Strong automatic load-holding brake for strength
- Cam action clutch disengages planetary gear system for free spooling – Patriot 9500, 8000, 6000
- Weather resistant integrated solenoid assembly
- The Patriot Series comes with either a 12 ft pendant or the patented (US # 6,995,682) wireless remote
- 6 ft (1,83 m) 2 gauge battery cables with connectors
- 4-way roller fairlead
- Limited lifetime warranty

Specifications

Rated line pull (single line) 8,000 lb (3,620 kg)
 Gear reduction ratio 126:1 (12V)
 Motor Series wound - 5.5 hp 12V DC
 Overall dimensions (LxWxH) 22.66" x 6.12" x 9.94"
 (576 mm x 156 mm x 252 mm)
 Drum size Diameter 2.5" (63 mm) Length 9" (228 mm)
 Weight 91 lb (41 kg)
 Cable supplied 95 ft (29 m) of 5/16" (8 mm) galvanized aircraft cable with replaceable clevis hook with safety latch
 Mounting bolt pattern 10.00 \pm .015 in. x 4.50 \pm .015 in. (254,0 mm x 114,3 mm)

Line Speed and Amp Draw - First Layer

Line Pull	lb	no	2,000	4,000	6,000	8,000
	kg	load	900	1,810	2,720	3,620
Line Speed	fpm		35	18	13	10
	mpm		10.6	5.5	3.9	3.0
Motor Current	amps	12V	95	210	270	355
						420

Line Pull and Cable Capacity

Layer of Cable		1	2	3	4
Rated Line Pull	lb	8,000	6,550	5,540	4,800
	kg	3,629	2,971	2,513	2,177
Cable Capacity per Layer	ft	15	40	70	95
	m	4	12	21	28

- Patriot 8000 R 12V with 12 ft pendant **Part# 109155**
- Patriot 8000 R 12V with wireless remote **Part# 109156**
- Patriot 8000 R 12V CE with 12 ft pendant **Part# 109189**
- Patriot 8000 R 24V with 12 ft pendant **Part# 109170**
- R - 4-way roller fairlead

Specifications

Rated line pull (single line) 6,000 lb (2,720 kg)
 Gear reduction ratio 90:1 (12V)
 Motor Series wound - 5.5 hp 12V DC
 Overall dimensions (LxWxH) 22.66" x 6.12" x 9.94"
 (576 mm x 156 mm x 252 mm)
 Drum size Diameter 2.5" (63 mm) Length 9" (228 mm)
 Weight 84 lb (38 kg)
 Cable supplied 100 ft (30,5 m) of 1/4" (6 mm) galvanized aircraft cable with replaceable clevis hook with safety latch
 Mounting bolt pattern 10.00 \pm .015 in. x 4.50 \pm .015 in. (254,0 mm x 114,3 mm)

Line Speed and Amp Draw - First Layer

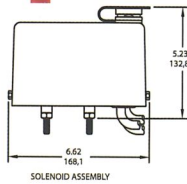
Line Pull	lb	no	1,000	3,000	5,000	6,000
	kg	load	450	1,350	2,260	2,720
Line Speed	fpm		45	23	20	14
	mpm		13.7	7.0	6.1	4.3
Motor Current	amps	12V	100	200	270	350
						405

Line Pull and Cable Capacity

Layer of Cable		1	2	3	4
Rated Line Pull	lb	6,000	5,075	4,400	3,880
	kg	2,722	2,302	1,996	1,760
Cable Capacity per Layer	ft	20	50	80	100
	m	6	15	24	30

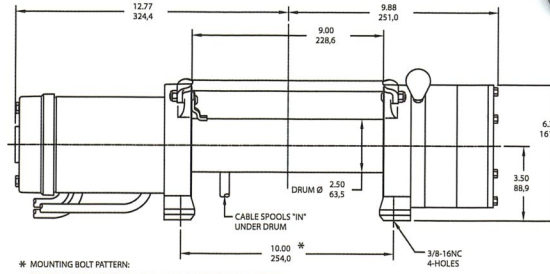
- Patriot 6000 R 12V with 12 ft pendant **Part# 109157**
- Patriot 6000 R 12V with wireless remote **Part# 109158**
- Patriot 6000 R 24V with 12 ft pendant **Part# 109169**
- Patriot 6000 R 12V CE with 12 ft pendant **Part# 109176**
- R - 4-way roller fairlead

Patriot Profile 9500



Dimensions are the same for Patriot Profile 9500 and 9000

Patriot Profile 9000



* MOUNTING BOLT PATTERN: FOUR Ø41 HOLES IN A 4.875±.015 x 4.50±.015 RECTANGULAR PATTERN.

Note: Fairlead does not attach directly to winch. Dimensions shown are inches over millimeters.

Product Features

- Efficient 5.5 HP* 12 V DC series wound electric reversible motor for increased pulling power (*Patriot Profile 9000 uses a 4.4 HP motor*)
- Proven three-stage planetary gear system design for fast line speed
- Motor and solenoids are grounded directly to battery
- Strong automatic load-holding brake for strength
- Cam action clutch disengages planetary gear system for free spooling
- Weather resistant solenoid assembly
- The Patriot Profile Series comes with either a 12 ft pendant or the patented (US # 6,995,682) wireless remote
- 6 ft (1,83 m) 2 gauge battery cables with connectors
- 4-way roller fairlead
- Limited lifetime warranty

Specifications

Rated line pull (single line) 9,500 lb (4,309 kg)
 Gear reduction ratio 138:1 (12V)
 Motor Series wound - 5.5 hp 12V DC
 Overall dimensions (LxWxH) 22.65" x 6.62" x 6.10"
 (575.4 mm x 168.1 mm x 154.9 mm)
 Drum size Diameter 2.5" (63 mm) Length 9" (228 mm)
 Weight 92 lb (41.7 kg)
 Cable supplied 105 ft (31.8 m) of 5/16" (8 mm) galvanized aircraft cable with replaceable clevis hook with safety latch
 Mounting bolt pattern 10.00 ± .015 in. x 4.50 ± .015 in. (254,0 mm x 114,3 mm)

Line Speed and Amp Draw – First Layer

Line Pull	lb	no load	2,000	4,000	6,000	8,000	9,500
Line Speed	fpm	35.4	16.7	12.7	10.6	9.0	7.8
Speed	mpm	10.7	5.1	3.8	3.2	2.7	2.3
Motor Current	amps	12V 97	180	260	335	395	430

Line Pull and Cable Capacity

Layer of Cable	1	2	3	4	5
Rated Line Pull per Layer	lb 9,500	7,780	6,600	5,725	5,050
	kg 4,309	3,528	2,993	2,596	2,290
Cable Capacity per Layer	ft 15	35	60	90	105
	m 4	10	18	27	32

- Patriot Profile 9500 R 12V with 12 ft pendant **Part# 109167**
 Patriot Profile 9500 R 12V with wireless remote **Part# 109168**
 Patriot Profile 9500 R 24V with 12 ft pendant **Part# 109175**
 Patriot Profile 9500 R 12V CE with 12 ft pendant **Part# 109180**
 R - 4-way roller fairlead

Specifications

Rated line pull (single line) 9,000 lb (4,070 kg)
 Gear reduction ratio 138:1 (12V)
 Motor Series wound - 4.4 hp 12V DC
 Overall dimensions (LxWxH) 22.65" x 6.62" x 6.10"
 (575.4 mm x 168.1 mm x 154.9 mm)
 Drum size Diameter 2.5" (63 mm) Length 9" (228 mm)
 Weight 92 lb (41.7 kg)
 Cable supplied 105 ft (31,8 m) of 5/16" (8 mm) galvanized aircraft cable with replaceable clevis hook with safety latch
 Mounting bolt pattern 10.00 ± .015 in. x 4.50 ± .015 in. (254,0 mm x 114,3 mm)

Line Speed and Amp Draw – First Layer

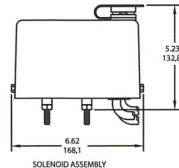
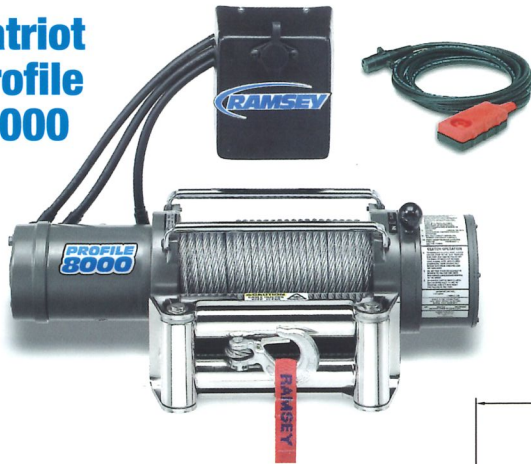
Line Pull	lb	no load	2,000	4,000	6,000	9,000
Line Speed	fpm	29	15	11	9	7
Speed	mpm	8.8	4.6	3.4	2.7	2.1
Motor Current	amps	12V 90	190	245	315	400

Line Pull and Cable Capacity

Layer of Cable	1	2	3	4	5
Rated Line Pull per Layer	lb 9,000	7,300	6,200	5,400	4,700
	kg 4,070	3,300	2,800	2,440	2,130
Cable Capacity per Layer	ft 15	40	70	95	105
	m 4	12	21	28	32

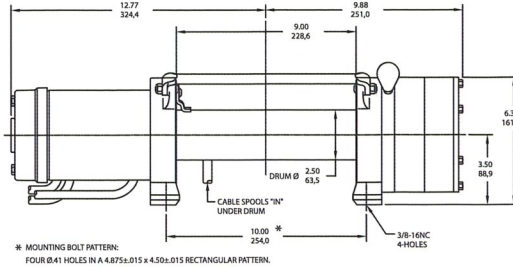
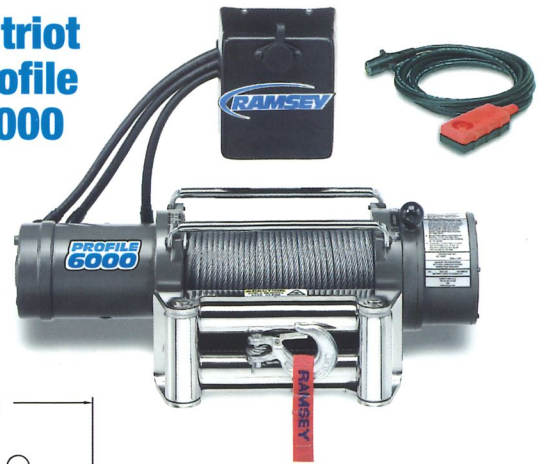
- Patriot Profile 9000 R 12V with 12 ft pendant **Part# 109165**
 Patriot Profile 9000 R 12V with wireless remote **Part# 109166**
 R - 4-way roller fairlead

Patriot Profile 8000



Dimensions are the same for Patriot Profile 8000 and 6000

Patriot Profile 6000



Note: Fairlead does not attach directly to winch. Dimensions shown are inches over millimeters.

Product Features

- Efficient 5.5 HP 12 V DC series wound electric reversible motor for increased pulling power
- Proven three-stage planetary gear system design for fast line speed
- Motor and solenoids are grounded directly to battery
- Strong automatic load-holding brake for strength
- Cam action clutch disengages planetary gear system for free spooling
- Weather resistant solenoid assembly
- The Patriot Profile Series comes with either a 12 ft pendant or the patented (US # 6,995,682) wireless remote
- 6 ft (1,83 m) 2 gauge battery cables with connectors
- 4-way roller fairlead
- Limited lifetime warranty

Specifications

Rated line pull (single line) 8,000 lb (3,620 kg)
 Gear reduction ratio 126:1 (12V)
 Motor Series wound - 5.5 hp 12V DC
 Overall dimensions (LxWxH) 22.65" x 6.62" x 6.10"
 (575.4 mm x 168.1 mm x 154.9 mm)
 Drum size Diameter 2.5" (63 mm) Length 9" (228 mm)
 Weight 75 lb (34 kg)
 Cable supplied 95 ft (29 m) of 5/16" (8 mm) galvanized aircraft cable with replaceable clevis hook with safety latch
 Mounting bolt pattern 10.00 ± .015 in. x 4.50 ± .015 in.
 (254,0 mm x 114,3 mm)

Line Speed and Amp Draw - First Layer

Line Pull	lb	kg	no load	2,000	4,000	6,000	8,000
			900	1,810	2,720	3,620	
Line Speed	fpm	mpm	35	18	13	10	8
			10.6	5.5	3.9	3.0	2.4
Motor Current	amps	12V	95	210	270	355	420

Line Pull and Cable Capacity

Layer of Cable		1	2	3	4
Rated Line Pull	lb	8,000	6,550	5,540	4,800
	kg	3,629	2,971	2,513	2,177
Cable Capacity per Layer	ft	15	40	70	95
	m	4	12	21	28

- Patriot Profile 8000 R 12V with 12 ft pendant **Part# 109163**
- Patriot Profile 8000 R 12V with wireless remote **Part# 109164**
- Patriot Profile 8000 R 24V with 12 ft pendant **Part# 109174**
- Patriot Profile 8000 R 12V CE with 12 ft pendant **Part# 109179**

R - 4-way roller fairlead

Specifications

Rated line pull (single line) 6,000 lb (2,720 kg)
 Gear reduction ratio 90:1 (12V)
 Motor Series wound - 5.5 hp 12V DC
 Overall dimensions (LxWxH) 22.65" x 6.62" x 6.10"
 (575.4 mm x 168.1 mm x 154.9 mm)
 Drum size Diameter 2.5" (63 mm) Length 9" (228 mm)
 Weight 65 lb (29.5 kg)
 Cable supplied 100 ft (30.5 m) of 1/4" (6 mm) galvanized aircraft cable with replaceable clevis hook with safety latch
 Mounting bolt pattern 10.00 ± .015 in. x 4.50 ± .015 in.
 (254,0 mm x 114,3 mm)

Line Speed and Amp Draw - First Layer

Line Pull	lb	kg	no load	1,000	3,000	5,000	6,000
			450	1,350	2,260	2,720	
Line Speed	fpm	mpm	45	23	20	14	12
			13.7	7.0	6.1	4.3	3.6
Motor Current	amps	12V	100	200	270	350	405

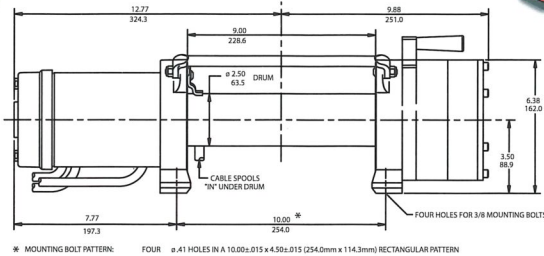
Line Pull and Cable Capacity

Layer of Cable		1	2	3	4
Rated Line Pull	lb	6,000	5,075	4,400	3,880
	kg	2,722	2,302	1,996	1,760
Cable Capacity per Layer	ft	20	50	80	100
	m	6	15	24	30

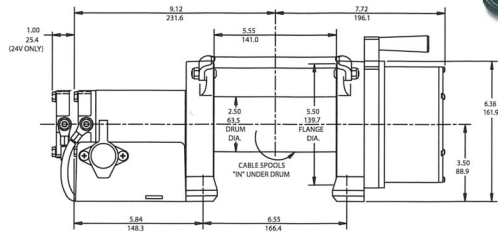
- Patriot Profile 6000 R 12V with 12 ft pendant **Part# 109161**
- Patriot Profile 6000 R 12V with wireless remote **Part# 109162**
- Patriot Profile 6000 R 24V with 12 ft pendant **Part# 109173**
- Patriot Profile 6000 R 12V CE with 12 ft pendant **Part# 109178**

R - 4-way roller fairlead

REP 9000



REP 5000



Note: Fairlead does not attach directly to winch. Dimensions shown are inches over millimeters.

Product Features

- Proven three-stage planetary gear system design for fast line speed
- Motor and solenoids are grounded directly to battery
- Strong automatic load-holding brake for strength
- Cam action clutch disengages planetary gear system for free spooling
- Weather resistant solenoid assembly
- 12 ft pendant
- 6 ft (1,83 m) 2 gauge battery cables with connectors
- 4-way roller fairlead
- Limited lifetime warranty

Specifications

Rated line pull (single line) 9,000 lb (4,070 kg)
 Gear reduction ratio 138:1 (12V) (24V)
 Motor Series wound - 4.8 hp (12V) – 2.5 hp (24V) DC
 Overall dimensions (LxWxH) 22.65" x 6.12" x 6.38"
 (575 mm x 156 mm x 162 mm)
 Drum size Diameter 2.5" (63 mm) Length 9" (228 mm)
 Weight 92 lb (41.7 kg)
 Cable supplied 95 ft (29 m) of 5/16" (8 mm) galvanized aircraft cable with replaceable clevis hook with safety latch
 Mounting bolt pattern 10.00 ± .015 in. x 4.50 ± .015 in.
 (254.0 mm x 114.3 mm)

Note: 24V models have different dimensions. Consult factory.

Line Speed and Amp Draw – First Layer

Line Pull	lb	no	2,000	4,000	6,000	9,000	
	kg	load	900	1,810	2,720	4,070	
Line Speed	fpm	12V	33	16.7	12.7	10.6	8.0
		24V	25	15	11	9	7
	mpm	12V	10.0	5.1	3.9	3.2	2.4
		24V	7.6	4.5	3.3	2.7	2.1
Motor Current	amps	12V	97	180	260	335	420
		24V	35	75	110	140	175

Line Pull and Cable Capacity

Layer of Cable		1	2	3	4
Rated Line Pull per Layer	lb	9,000	7,300	6,200	5,400
	kg	4,070	3,300	2,800	2,440
Cable Capacity per Layer	ft	15	40	70	95
	m	4	12	21	28

REP 9000 R 12V **Part# 111038**
 REP 9000 R 24V **Part# 110976**
 REP 9000 R 12V CE **Part# 111072**
 REP 9000 R 24V CE **Part# 111070**
 R - 4-way roller fairlead

Specifications

Rated line pull (single line) 5,000 lb (2,260 kg)
 Gear reduction ratio 294:1 (12V) – 210:1 (24V)
 Motor Permanent magnet 1.3 hp (12V) – 1.9 hp (24V) DC
 Overall dimension (LxWxH) 16.84" x 6.00" x 6.38"
 (428 mm x 152 mm x 162 mm)
 Drum size Diameter 2.5" (63 mm) Length 5.5" (140 mm)
 Weight 60 lb (27 kg)
 Cable supplied 80 ft (24 m) of 1/4" (6mm) galvanized aircraft cable with replaceable clevis hook with safety latch
 Mounting bolt pattern 6.55 ± .015 in. x 4.50 ± .015 in.
 (166.4 mm x 114.3 mm)

Note: 24V models have different dimensions. Consult factory.

Line Speed and Amp Draw – First Layer

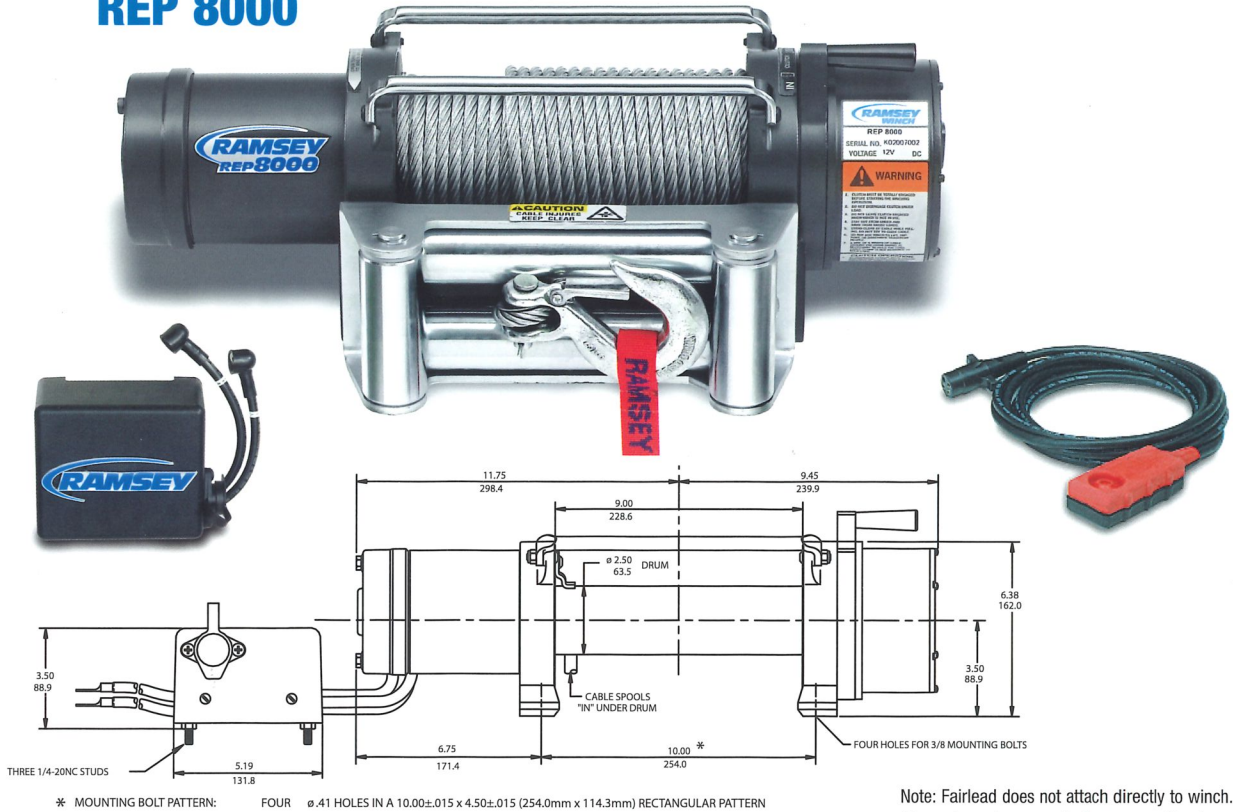
Line Pull	lb	no	1,000	3,000	5,000	
	kg	load	450	1,350	2,260	
Line Speed	fpm	12V	15	11	8	5
		24V	20	17	12	8
	mpm	12V	4.5	3.3	2.4	1.5
		24V	6	5.1	3.6	2.4
Motor Current	amps	12V	45	100	155	230
		24V	20	50	105	160

Line Pull and Cable Capacity

Layer of Cable		1	2	3	4
Rated Line Pull per Layer	lb	5,000	4,200	3,600	3,200
	kg	2,260	1,900	1,630	1,450
Cable Capacity per Layer	ft	15	30	55	80
	m	4.5	9	17	24

REP 5000 H 12V **Part# 110903**
 REP 5000 R 12V **Part# 110904**
 REP 5000 R 24V **Part# 110906**
 R - 4-way roller fairlead H - Hawse fairlead

REP 8000



* MOUNTING BOLT PATTERN: FOUR ϕ .41 HOLES IN A $10.00 \pm .015 \times 4.50 \pm .015$ (254.0mm x 114.3mm) RECTANGULAR PATTERN

Note: Fairlead does not attach directly to winch. Dimensions shown are inches over millimeters.

Product Features

- Proven three-stage planetary gear system design for fast line speed
- Motor and solenoids are grounded directly to battery
- Strong automatic load-holding brake for strength
- Cam action clutch disengages planetary gear system for free spooling
- Weather resistant solenoid assembly
- 12 ft pendant
- 6 ft (1,83 m) 2 gauge battery cables with connectors
- 4-way roller fairlead
- Limited lifetime warranty

Specifications

Rated line pull (single line) 8,000 lb (3,620 kg)
 Gear reduction ratio 126:1 (12V)
 Motor Series wound 3.8 hp (12V)
 Overall dimensions (LxWxH) 21.38" x 6.00" x 6.38"
 (530 mm x 152 mm x 162 mm)
 Drum size Diameter 2.5" (63 mm) Length 9" (228 mm)
 Weight 75 lb (34 kg)
 Cable supplied 95 ft (29 m) of 5/16" (8 mm) galvanized aircraft cable with replaceable clevis hook with safety latch
 Mounting bolt pattern $10.00 \pm .015$ in. x $4.50 \pm .015$ in.
 (254,0 mm x 114,3 mm)

Line Speed and Amp Draw – First Layer

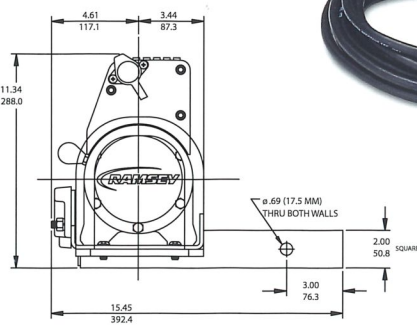
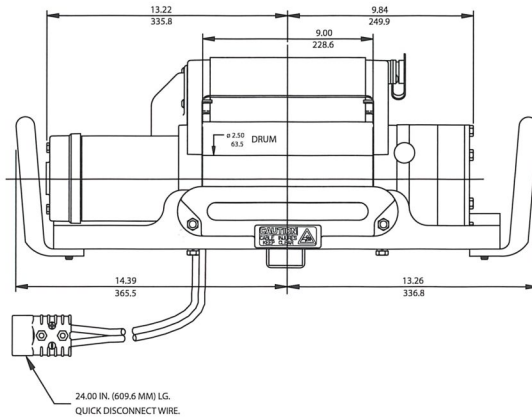
Line Pull	lb	kg	no load	2,000	4,000	6,000	8,000
Line Speed	fpm	12V	36	15	12	8	5
Speed	mpm	12V	11.0	4.6	3.7	2.4	1.5
Motor	amps	12V	87	168	258	320	405

Line Pull and Cable Capacity

Layer of Cable		1	2	3	4
Rated Line	lb	8,000	6,500	5,500	4,800
Pull per Layer	kg	3,620	2,940	2,490	2,170
Cable Capacity per Layer	ft	15	40	70	95
	m	4	12	21	28

REP 8000 H 12V Part# 111035
 REP 8000 R 12V Part# 111036
 REP 8000 R 12V CE Part# 111071
 R - 4-way roller fairlead H - Hawse fairlead

QM 9000



Dimensions shown are inches over millimeters



Product Features

- Used with a class-three rear receiver hitch with 5,000 lb minimum weight carrying (WC) rating (Receiver must not be recessed more than 1 1/4" from bumper face)*
- Proven three-stage planetary gear system design for fast line speed
- Strong automatic load-holding brake for strength
- Cam action clutch disengages planetary gear system for free spooling
- Weather resistant fully integrated solenoid assembly
- 12 ft pendant
- Anti-theft locking pin
- Hawse fairlead
- Limited lifetime warranty

*All products in the QM Series will front mount into QM Front Receivers from Ramsey Winch.

Specifications

Rated line pull (single line) 9,000 lb (4,070 kg)
 Gear reduction ratio 138:1 (12V)
 Motor Series wound - 4.4 hp 12V DC
 Overall dimensions (LxWxH) 27.77" x 14.38" x 11.14"
 (705 mm x 365 mm x 283 mm)
 Drum size Diameter 2.5" (63 mm) Length 9" (228 mm)
 Weight 115 lb (52.2 kg)
 Cable supplied 105 ft (31,8 m) of 5/16" (8 mm) galvanized aircraft cable with replaceable clevis hook with safety latch
 Mounting bolt pattern 10.00 ± .015 in. x 4.50 ± .015 in.
 (254,0 mm x 114,3 mm)

- QM 8000/9000 must be used with a class-three rear receiver hitch, or equivalent, with 5,000 lb minimum weight carrying (WC) rating. Receiver must not be recessed more than 1 1/4" from bumper face.
- QM 5000 will mount into any standard class-three rear receiver hitch. Receiver must not be recessed more than 1 1/4" from bumper face.

Line Speed and Amp Draw – First Layer

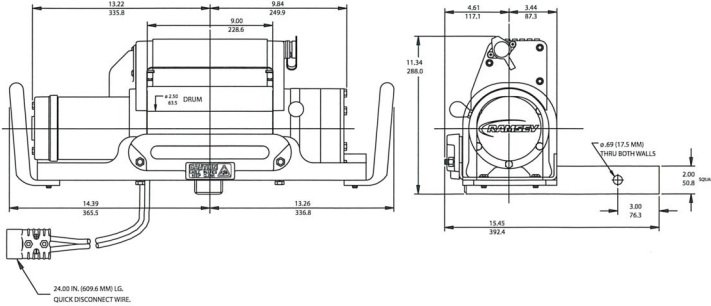
Line Pull	lb	no load	2,000	4,000	6,000	9,000
	kg		900	1,810	2,720	4,070
Line Speed	fpm	29	15	11	9	7
	mpm	8.8	4.6	3.4	2.7	2.1
Motor Current	amps	12V 90	190	245	315	400

Line Pull and Cable Capacity

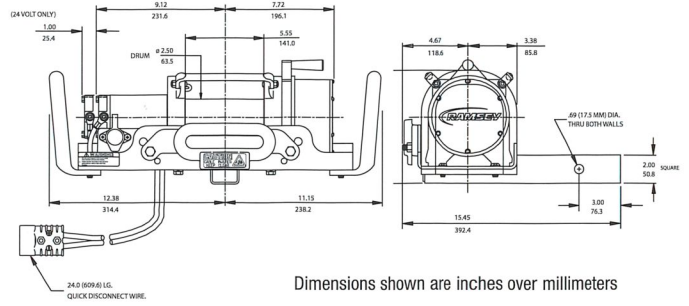
Layer of Cable		1	2	3	4	5
Rated Line Pull per Layer	lb	9,000	7,300	6,200	5,400	4,700
	kg	4,070	3,300	2,800	2,440	2,130
Cable Capacity per Layer	ft	15	40	70	95	105
	m	4	12	21	28	32

QM 9000 12V **Part# 111040**
 QM 9000 12V (For H2 Hummer®) **Part# 111081**

QM 8000



QM 5000



Dimensions shown are inches over millimeters

Product Features

- Used with a class-three rear receiver hitch with 5,000 lb minimum weight carrying (WC) rating (Receiver must not be recessed more than 1 1/4" from bumper face)*
- Proven three-stage planetary gear system design for fast line speed
- Strong automatic load-holding brake for strength
- Cam action clutch disengages planetary gear system for free spooling
- Weather resistant fully integrated solenoid assembly
- 12 ft pendant
- Anti-theft locking pin
- Hawse fairlead
- Limited lifetime warranty

*All products in the QM Series will front mount into QM Front Receivers from Ramsey Winch.

Specifications

Rated line pull (single line) 8,000 lb (3,620 kg)
 Gear reduction ratio 126:1 (12V)
 Motor Series wound - 5.5 hp 12V DC
 Overall dimensions. (LxWxH) 27.77" x 14.38" x 11.14"
 (705 mm x 365 mm x 283 mm)
 Drum size. Diameter 2.5" (63 mm) Length 9" (228 mm)
 Weight 107 lb (48.5 kg)
 Cable supplied 95 ft (29 m) of 5/16" (8 mm) galvanized aircraft cable with replaceable clevis hook with safety latch

Line Speed and Amp Draw - First Layer

Line Pull	lb	no load	2,000	4,000	6,000	8,000
	kg		900	1,810	2,720	3,620
Line Speed	fpm	35	18	13	10	8
	mpm	10.6	5.5	3.9	3.0	2.4
Motor Current	amps	12V 95	210	270	355	420

Line Pull and Cable Capacity

Layer of Cable		1	2	3	4
Rated Line Pull per Layer	lb	8,000	6,550	5,540	4,800
	kg	3,629	2,971	2,513	2,177
Cable Capacity per Layer	ft	15	40	70	95
	m	4	12	21	28

QM 8000 12V. **Part# 111039**

• QM 8000/9000 must be used with a class-three rear receiver hitch, or equivalent, with 5,000 lb minimum weight carrying (WC) rating. Receiver must not be recessed more than 1 1/4" from bumper face.

Specifications

Rated line pull (single line) 5,000 lb (2,260 kg)
 Gear reduction ratio 294:1 (12V) - 210:1 (24V)
 Motor Permanent magnet - 1.3 hp (12V) - 1.9 hp (24V) DC
 Overall dimensions. (LxWxH) 23.53" x 14.38" x 8.00"
 (598 mm x 365 mm x 203 mm)
 Drum size. Diameter 2.5" (63 mm) Length 5.5" (139 mm)
 Weight 74 lb (33.6 kg)
 Cable supplied 80 ft (24 m) of 1/4" (6 mm) galvanized aircraft cable with replaceable clevis hook with safety latch

Note: 24V models have different dimensions. Consult factory.

Line Speed and Amp Draw - First Layer

Line Pull	lb	no load	1,000	3,000	5,000
	kg		450	1,360	2,260
Line Speed	fpm	12V 15	11	8	5
	mpm	24V 20	17	12	8
Motor Current	amps	12V 4.5	3.3	2.4	1.5
	24V 6	5.1	3.6	2.4	

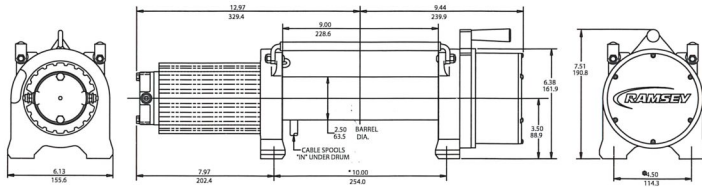
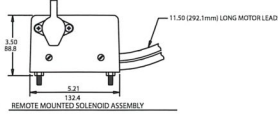
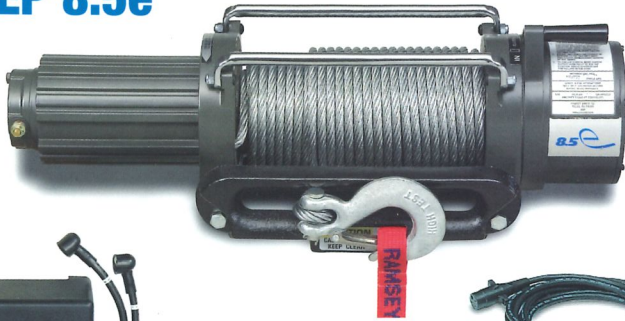
Line Pull and Cable Capacity

Layer of Cable		1	2	3	4
Rated Line Pull per Layer	lb	5,000	4,200	3,600	3,200
	kg	2,260	1,900	1,630	1,450
Cable Capacity per Layer	ft	15	30	55	80
	m	4.5	9	17	24

QM 5000 12V. **Part# 111107**
 QM 5000 24V. **Part# 111108**

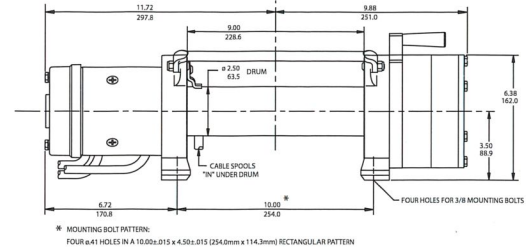
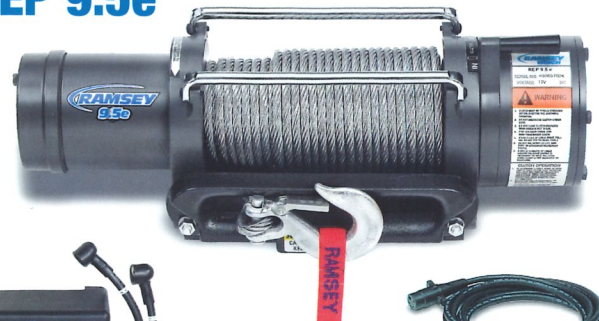
• QM 5000 will mount into any standard class-three rear receiver hitch. Receiver must not be recessed more than 1 1/4" from bumper face.

REP 8.5e



Dimensions shown are inches over millimeters

REP 9.5e



* MOUNTING BOLT PATTERN:
FOUR e-41 HOLES IN A 10.00±.015 x 4.50±.015 (254.0mm x 114.3mm) RECTANGULAR PATTERN

Product Features

- Cam action clutch disengages planetary gear system for free spooling
- Proven three-stage planetary gear system design for fast line speed
- 5 ft (1.52 m) 4-gauge battery cables with connectors on REP 8.5e
- 6 ft (1.83 m) 2 gauge battery cables with connectors on REP 9.5e
- Weather resistant solenoid assembly
- Automatic load-holding brake
- 12 ft wire pendant remote
- Limited lifetime warranty
- Hawse fairlead

Specifications

Rated line pull	8,500 lb (3,850 kg)
Gear reduction ratio	294:1
Motor	Permanent magnet (12 V)
Overall dimensions	(LxWxH) 22.41" x 6.13" x 7.45" (569.3 mm x 155.6 mm x 189.1 mm)
Drum size	Diameter 2.5" (63.5 mm) Length 9" (228.6 mm)
Weight	56 lb (25.4 kg) winch and cable
Cable supplied	95 ft (29 m) of 5/16" (8 mm) galvanized aircraft cable with replaceable clevis hook
Mounting bolt pattern	10.00 ± .015 in. x 4.50 ± .015 in. (254.0 mm x 114.3 mm)

Line Speed and Amp Draw - First Layer

Line Pull	lb	no load	2000	4000	6000	8000	8500
	kg		900	1810	2710	3620	3850
Line Speed	fpm	15	12	10	8	6	4.5
	mpm	4.5	3.6	3.0	2.4	1.8	1.3
Motor amps @ 12 V		40	110	170	230	310	335

Line Pull and Cable Capacity

Layer of Cable		1	2	3	4
Rated Line	lb	8500	6900	5800	5100
Pull per Layer	kg	3850	3120	2630	2310
Cable Capacity per Layer	ft	15	40	70	95
	m	4	12	21	28

REP 8.5e H 12V **Part# 111073**
 REP 8.5e R 12V **Part# 111085**
 R - 4-way roller fairlead H - Hawse fairlead

Specifications

Rated line pull	9,500 lb (4,300 kg)
Gear reduction ratio	138:1
Motor	3.8 hp Series Wound (12 V)
Overall dimensions	(LxWxH) 22.43" x 6.13" x 7.45" (569.7 mm x 155.6 mm x 189.7 mm)
Drum size	Diameter 2.5" (63.5 mm) Length 9" (228.6 mm)
Weight	88 lb (39.9 kg) winch and cable
Cable supplied	95 ft (29 m) of 5/16" (8 mm) galvanized aircraft cable with replaceable clevis hook
Mounting bolt pattern	10.00 ± .015 in. x 4.50 ± .015 in. (254.0 mm x 114.3 mm)

Line Speed and Amp Draw - First Layer

Line Pull	lb	no load	2000	4000	6000	8000	9500
	kg		900	1810	2720	3620	4309
Line Speed	fpm	30	16	11	7	5	3
	mpm	9.1	4.8	3.3	2.1	1.5	.9
Motor amps @ 12 V		94	170	250	315	370	420

Line Pull and Cable Capacity

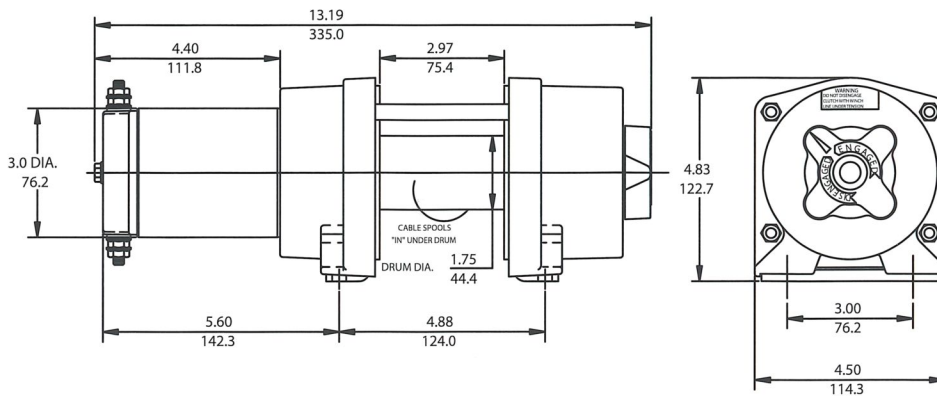
Layer of Cable		1	2	3	4
Rated Line	lb	9500	7700	6500	5700
Pull per Layer	kg	4309	3480	2940	2580
Cable Capacity per Layer	ft	15	35	60	95
	m	4	10	18	28

REP 9.5e H 12V **Part # 111090**
 REP 9.5e R 12V **Part# 111091**
 R - 4-way roller fairlead H - Hawse fairlead

Badger 2500 with 12 ft pendant



Badger 2500 with motor switch



Dimensions are the same for Badger 2500 with 12 ft pendant and motor switch

Note: Fairlead does not attach directly to winch. Dimensions shown are inches over millimeters.

Product Features

- 0.9 HP 12V DC permanent magnet motor that uses minimal AMP Draw
- Proven and efficient three-stage planetary gear system design
- Reliable and easy to operate motor switch control or 12 ft pendant
- Strong automatic full load-holding brake
- Large knob cam action clutch for free spooling
- Winch shown with mounting plate PN 251073
- The 50 ft of aircraft quality wire rope is attached at an anchor point in the winch drum for maximum safety and pulling distance
- Comes complete with Hawse or Roller Fairlead depending on model
- Limited lifetime warranty

Specifications

Rated line pull	(single line) 2,500 lb (1,133 kg)
Gear reduction ratio	136:1 (12V)
Motor	Permanent magnet - 0.9 hp (12V) DC
Overall dimensions	(LxWxH) 13.19" x 4.50" x 4.75" (335 mm x 114 mm x 121 mm)
Drum size	Diameter 1.75" (44 mm) Length 2.97" (76 mm)
Weight	21 lb (9.5 kg)
Cable supplied	50 ft (15 m) of 3/16" (4.8 mm) galvanized aircraft cable with replaceable clevis hook with safety latch
Mounting bolt pattern	3.00 ± .015 in. x 4.88 ± .015 in. (76.2 mm x 124.0 mm)
Brake	Automatic load - holding brake standard

Line Speed and Amp Draw - First Layer

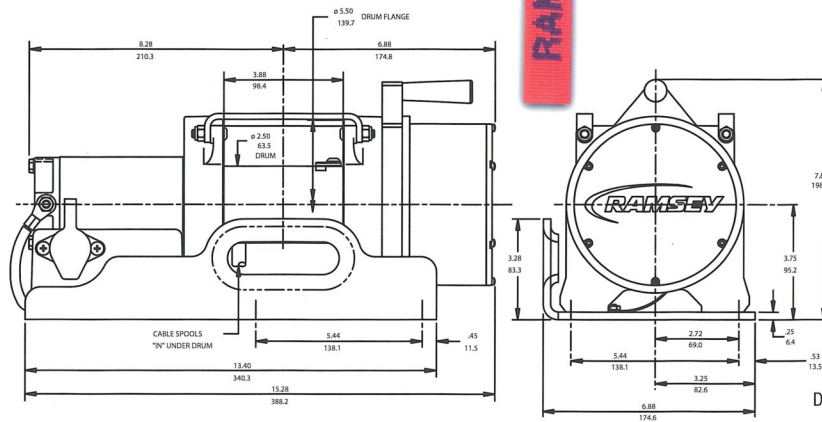
Line Pull	lb	no	500	1000	1500	2000	2500
	kg	load	227	453	680	906	1133
Line Speed	fpm	18	17	15	12	11	7.5
	mpm	5.5	5.1	4.6	3.7	3.4	2.3
Motor Current	amps	36	54	83	100	109	140

Line Pull and Cable Capacity

Layer of Cable		1	2	3	4	5
Rated Line Pull per Layer	lb	2500	2090	1800	1580	1400
	kg	1133	947	815	716	634
Cable Capacity per Layer	ft	7	15	25	37	50
	m	2.12	4.56	7.6	11.3	15.2

Badger 2500 R 12V with 12 ft pendant **Part # 115102**
 Badger 2500 H 12V with motor switch **Part # 115101**
 Badger 2500 R 12V with wireless & rocker switch **Part # 115100**
 R - 4-way roller fairlead H - Hawse fairlead

TR 5000



Product Features

- Proven three-stage planetary gear system design for fast line speed
- Automatic load-holding brake
- Cam action clutch disengages planetary gear system for free spooling
- Weather resistant solenoid assembly
- 12 ft pendant
- 5 ft (1.83 m) 4 gauge battery cables with connectors
- Mounting platform with hawse fairlead
- Cable tensioner
- Limited lifetime warranty

Specifications

Rated line pull (single line) 5,000 lb (2,260 kg)
 Gear reduction ratio 294:1
 Motor Permanent magnet 1.3 hp (12V)
 Overall dimensions (LxWxH) 15.28" x 6.88" x 7.70"
 (388 mm x 175 mm x 196 mm)
 Drum size Diameter 2.5" (63 mm) Length 3.9" (99 mm)
 Weight 47 lb (21.3 kg) winch, cable, mounting platform
 w/fairlead and hook
 Cable supplied 50 ft (15 m) of 1/4" (6 mm) galvanized aircraft cable
 with replaceable clevis hook with safety latch
 Mounting bolt pattern 5.44 ± .015 in. x 5.44 ± .015 in.
 (138,2 mm x 138,2 mm)

Line Speed and Amp Draw – First Layer

Line Pull	lb	kg	no load	1,000	3,000	5,000
Line Speed	fpm	mpm	15	11	8	5
			4.5	3.3	2.4	1.5
Motor Current	amps @ 12V		45	100	155	230

Line Pull and Cable Capacity

Layer of Cable		1	2	3	4
Rated Line Pull per Layer	lb	5,000	4,200	3,600	3,200
	kg	2,260	1,900	1,630	1,450
Cable Capacity per Layer	ft	10	20	35	50
	m	3.0	6.1	10.7	15.2

TR 5000 H 12V Part# 111099

H - Hawse fairlead

Note: Winch is not designed for and should not be used in Industrial or Commercial applications.

WIRELESS REMOTE

The Ramsey Wireless Remote Controller. Just Winch and Go!

Our patented (US # 6,995,682) Wireless Remote works without cables or switches and gets you winching faster. Just press the remote and you're ready to go! Start, stop, in or out. The wireless remote lets you operate your winch from up to 50 ft away and works on other brand name winches. Even if you don't own a Ramsey Winch, chances are you can still use the new Ramsey Wireless Remote.

Product Features

- Patented design (US # 6,995,682)
- Remote range up to 50 feet
- Transmitter equipped with long-life battery and power saver circuit
- Weatherproof transmitter and receiver
- Installs in minutes
- Visual indicator light shows remote operation
- Additional transmitters available to operate receiver
- Works on virtually all electric, self-recovery front mount winches
- Transmitter replacement battery readily available



Waterproof receiver

Visual transmitter indicator light shows remote operation

Magnetic antenna base for easy installation

Part Numbers

- 251200** - Ramsey electric front mount winches
- 251190** - Remote transmitter

WARNING: The Ramsey Wireless Remote is designed for use on front mount self-recovery winches only. The remote is not designed for and should not be used on winches or hoists in industrial applications (commercial car haulers/carriers, wreckers, cranes, etc.) or for any other remote controlled applications.

SYNTHETIC ROPE

Are You Looking For Synthetic Rope?



Look no further! Ramsey now has available synthetic rope designed and approved for Ramsey self-recovery automotive winches.

Synthetic rope is an excellent choice as an option for those who do not want wire rope. Synthetic rope is lightweight, pliable, easy to handle.

Made from Technora™ which provides excellent heat resistance, our synthetic rope is available in 100' of 3/8" with 1/2" clevis hook with safety latch. A 10' (3 m) rock shield will give extra protection against wear and abrasion. Rated for winches up to 9,500 lb capacity.

What are you waiting for?

Product Features

- 100 ft (30,5m) of 3/8" (9mm)
- Oversized 1/2" clevis hook with safety latch
- Extremely strong Technora™ fiber rope with excellent heat resistance
- Black 10' (3m) rock shield

Recommendations:

- For 9,500 lb and smaller self-recovery winch models only
- Aluminum hawse fairlead (Part number 251266)

Part Numbers

- 251262** - Synthetic rope 3/8" x 100' and 1/2" clevis hook with safety latch
- 251266** - Aluminum hawse fairlead for synthetic cable

Note: Anchor not designed to hold load. A minimum of 8 wraps of rope around the drum barrel are required to hold the load.

ACCESSORY KITS

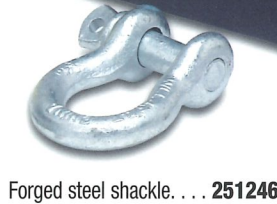
(Components of kit also available individually)

30,000 lb maximum capacity swivel side plate shackle-type snatch block with a greaseable sheave that doubles the winch pulling power. **251245**

6' x 3" (1,8 m x 7,6 cm) tree trunk protector **251241**



Durable black Cordura® nylon bag **251109**



Forged steel shackle. . . **251246**



Leather faced work gloves with protective cuffs. **251108**

15,000 lb to 5,000 lb winches:

Whether you are a competitor or a trail-rider, you should always carry a Ramsey off-road winch accessory kit to get you out of those sticky situations. The off-road winch accessory kit comes with a 30,000 lb (13,607 kg) maximum capacity swivel side plate shackle-type snatch block with a greaseable sheave, forged steel shackle 6' x 3" (1,8 m x 7,6 cm) tree trunk saver, leather faced work gloves with protective cuffs and a durable black Cordura® nylon bag. The winch accessory kit allows you to double your winch's capacity and increase the variety of winch applications, which could someday get you out of a jam!

Part Number. 251215
 Maximum cable width. 7/16" (11 mm)
 Maximum Capacity 30,000 lb (13,607 kg)
 Winch Rating. 15,000 lb (6,803 kg) or below models
 Weight. 12 lb

Components of kit also available individually:

- Forged steel shackle. **251246**
- 6' x 3" (1,8 m x 7,6 cm) tree trunk protector **251241**
- Leather faced work gloves with protective cuffs **251108**
- Durable black Cordura® nylon bag **251109**

30,000 lb maximum capacity swivel side plate shackle-type snatch block with a greaseable sheave that doubles the winch pulling power **251245**

8,000 lb to 5,000 lb winches:

Just like the above off-road winch accessory kit, but with a 16,000 lb (7,257,5 kg) maximum capacity swivel side plate shackle-type snatch block, forged steel shackle, 6' x 3" (1,8 m x 7,6 cm) tree trunk saver, leather faced work gloves with protective cuffs and a durable black Cordura® nylon bag.

Part Number. 251002
 Maximum cable width. 5/16" (8 mm)
 Maximum Capacity 16,000 lb (7,257,5 kg)
 Winch Rating. 8,000 lb (3,620 kg) or below models
 Weight. 10 lb

Components of kit also available individually:

- Forged steel shackle **251246**
- 6' x 3" (1,8 m x 7,6 cm) tree trunk protector **251241**
- Leather faced work gloves with protective cuffs **251108**
- Durable black Cordura® nylon bag **251109**

16,000 lb maximum capacity swivel side plate shackle-type snatch block that doubles the winch pulling power **251014**



4,000 lb winches and below:

An 8,000 lb (3,628,77 kg) maximum capacity swivel side plate shackle-type snatch block, forged steel shackle, 8' x 1" (2,4 m x 2,5 cm) tree trunk saver/tow strap, leather faced work gloves with protective cuffs and a durable black Cordura® nylon bag.

Part Number. 251072
 Maximum cable width. 3/16" (4,8 mm)
 Maximum Capacity 8,000 lb (3,628,77 kg)
 Winch Rating. 4,000 lb (1,814,3 kg) or below models
 Weight. 6 lb

Components of kit also available individually:

- Forged steel shackle. **251244**
- 8' x 1" (2,4 m x 2,5 cm) tow strap/tree trunk protector **251240**
- Leather faced work gloves with protective cuffs **251108**
- Durable black Cordura® nylon bag **251109**

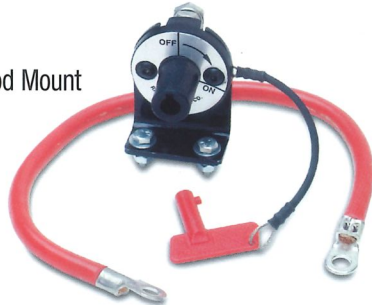
8,000 lb maximum capacity swivel side plate shackle-type snatch block that doubles the winch pulling power **251243**



SAFETY ON-OFF SWITCHES

- Shuts off power to winch (Under hood mount)**282053**
- Shuts off power to winch (In-cab mount) 12V.....**282062**
- Shuts off power to winch (In-cab mount) 24V.....**282063**

282053 Under Hood Mount



282062 & 282063 In-Cab Mount



MOUNTING CHANNELS

Badger Series

- 8" (203 mm) Length**251073**

REP and Patriot Series

- 24" (610 mm) Length**251126**
- 30" (760 mm) Length**251127**
- 36" (810 mm) Length**251128**



Patriot 12/15 Series

- 36.7" wide x 10.5" depth**408320**

RE Worm Gear Series

- 36.69" wide x 10.94" depth**251276**

CLEVIS HOOKS

With Safety Latch

- Badger 2500 (1/4" hook)**251237**
- REP 5000/6000/8000/9000, Patriot 6000/8000/9500
- RE 8000 & 12,000, QM 5000/8000 (3/8" hook)**251139**
- Patriot 15,000, Profile 12,000 (1/2" hook)**251239**



FAIRLEADS

Hawse fairlead aluminum for synthetic rope	251266
Hawse fairlead for 2,500 lb winch	251075
Hawse fairlead for 5,000 lb. winch	251150
Hawse fairlead for 6,000 to 9,000 lb. winch	251152
4-way roller fairlead for 2,500 lb. winch	251236
4-way roller fairlead for 5,000 lb. winch	251151
4-way roller fairlead for 6,000 to 15,000 lb. winch	251183
4-way roller fairlead for RE 12,000 RX (long drum)	251154

4-WAY
ROLLER FAIRLEAD

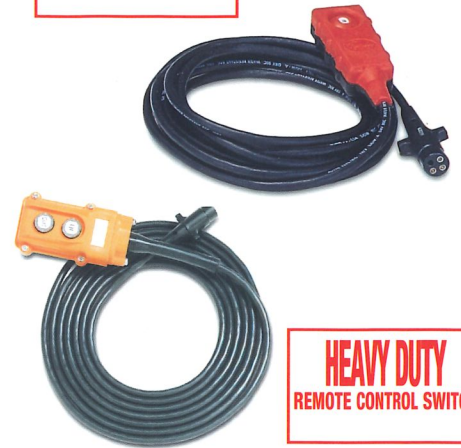


HAWSE
FAIRLEAD

MANUAL SWITCH AND REMOTE CONTROL SWITCHES

Motor Switch Control (Badger series only)	251238
12' (3.66 m)	251110
15' (4.57 m)	251111
25' (7.62 m)	251112
50' (15.24 m)	251113
12' (3.66 m) heavy-duty	251114
15' (4.57 m) heavy-duty	251115
25' (7.62 m) heavy-duty	251116
50' (15.24 m) heavy-duty	251117

STANDARD
REMOTE CONTROL SWITCH



HEAVY DUTY
REMOTE CONTROL SWITCH

WINCH COVERS


Ramsey offers a new protection for your winch investment, a black Neoprene® winch cover that incorporates the Ramsey logo. The Neoprene winch cover offers protection from the harsh weather elements, road salt, road wear, etc. and does not require any tie down straps to hold the cover in place. The new Neoprene winch cover is made out of tough and weather resistant fabric-coated 2mm Neoprene material. The Neoprene material resists degradation from sun, ozone and weather. In addition, the Neoprene material performs well against oils and other chemicals.

Neoprene Winch Cover, Badger Series	251264
Neoprene Winch Cover, REP 6000/8000/9000 with solenoid assembly banded to motor	251269
Neoprene Winch Cover, Patriot Profile 6000/8000/9000/9500 with solenoid assembly mounted above motor	251270
Neoprene Winch Cover, Patriot Profile 6000/8000/9000/9500, REP 6000/8000/9000 without solenoid assembly mounted to winch	251271
Neoprene Winch Cover, Patriot 6000/8000/9500/9500 UT Patriot Profile 6000/8000/9000/9500/9500 UT with solenoid assembly mounted above tie bars	251259



REPLACEMENT AND EXTENSION CABLE

Galvanized aircraft replacement cable with clevis hook with safety latch:

50' (15.24 m) x 3/16" (4.8 mm)	251193	
95' (28.96 m) x 5/16" (8 mm)	251118	
100' (30.48 m) x 1/4" (6 mm)	251228	
100' (30.48 m) x 5/16" (8 mm)	251120	
125' (38.1 m) x 5/16" (8 mm)	251121	
150' (45.72 m) x 5/16" (8 mm)	251184	
100' (30.48 m) x 3/8" (9 mm)	251123	
125' (38.1 m) x 3/8" (9 mm)	251124	
105' (32.0) x 5/16" (8 mm)	251210	
90' (27.4 m) x 7/16" (11 mm)	251230	
50' (15.24 m) x 5/16" (8 mm) - two replacement clevis hooks with safety latch	251125	

You can Quick Mount any of the following Ramsey Winches:

- Patriot 8000 and 6000 • Patriot Profile 9000, 8000 and 6000 • REP 9000, 8000, 6000 and 5000

To Quick Mount a Ramsey Winch, you must have the following parts:

- | | |
|-------------------------------|-------------------------------------|
| 1. Winch | 3. Quick Connect Battery Power Lead |
| 2. QM Winch Mounting Platform | 4. Wiring Kit |

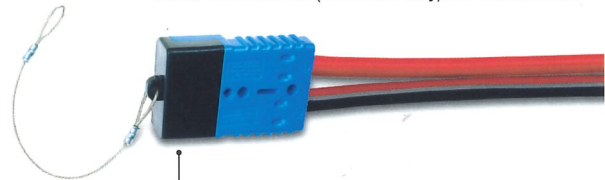
WINCH MOUNTING PLATFORMS

- Patriot 8000 and 6000 • Patriot Profile 9000, 8000 and 6000 • REP 9000, 8000, 6000 and 5000 **251043**

QUICK CONNECT BATTERY POWER LEADS*

5 ft (1.5 m) Battery Power Lead	251053
20 ft (6.1 m) Battery Power Lead	251021
24 ft (7.3 m) Battery Power Lead	251054

Quick Connector Kit (Connector only) **251025**



Dust Cover **328157**

WIRING KITS*

QM kit for Patriot 8000 and 6000 (12 volt DC) winch	251044
QM kit for Patriot Profile 9000, 8000 and 6000, REP 9000 (12 volt DC) winch	251051
QM kit for Patriot Profile 9000, 8000 and 6000, REP 9000 (24 volt DC) winch	251052
QM kit for REP 8000, 6000 and 5000 (12 volt DC) winch	251060
QM kit for REP 8000, 6000 and 5000 (24 volt DC) winch	251061

- NOTES:
- QM 5000 will mount into any standard class-three rear receiver hitch. Receiver must not be recessed more than 1 1/4" from bumper face.
 - QM 6000/8000/9000 must be used with a class-three rear receiver hitch, or equivalent, with 5,000 lb minimum weight carrying (WC) rating. Receiver must not be recessed more than 1 1/4" from bumper face.
 - All products in the QM Series will front mount into QM Front Receivers from Ramsey Winch.

* QM Wiring Kit and Quick Connect Battery Power Lead must be purchased with Mounting Platform to mount winch.
 † A 5 ft (1.5 m) battery power lead is required for front mounting.
 For rear mounting a 20 ft (6.1 m) or 24 ft (7.3 m) battery power lead must be purchased.

0.9 HP 12V DC efficient permanent magnet motor with 36% less AMP draw than the competition for 2500 lb models

6 ft 6 gauge battery cables with connectors

50 ft of 3/16" galvanized aircraft cable with replaceable clevis hook

Weather resistant contactor assembly

Patented wireless remote that operates winch 50 ft away

Note: Fairlead does not attach directly to winch.

12' remote pendant available

4-way roller fairlead

60 ft of 7/32" galvanized aircraft cable with replaceable clevis hook

Patented wireless remote with antenna available

ATV WINCHES

The ATV Series has all the dependability that off-road enthusiasts have come to expect from Ramsey Winch. And the ATV Series is the only one that comes complete with a wireless remote control.

FEATURES ATV 2500/3000

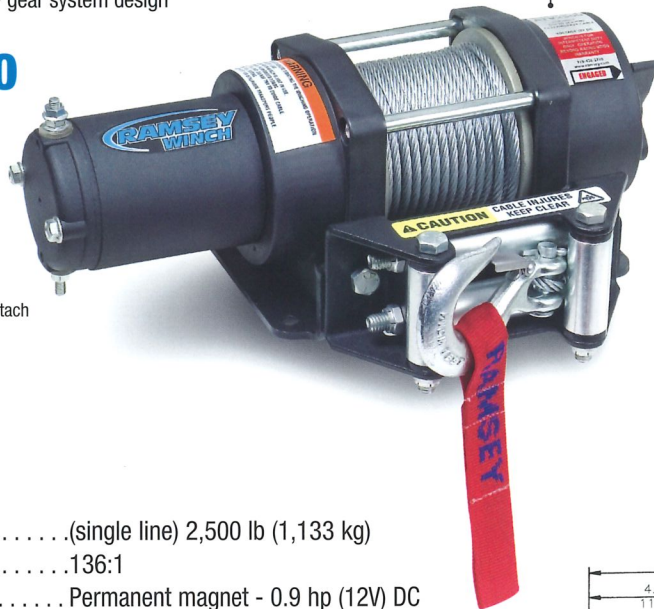
- Remote control options:
 - Patented (US # 6,995,682) wireless remote control for ATV 2500 and 3000 models operate winch from 50 ft away
 - Remote mounted manual rotary switch control available for ATV 2500 model only
 - Handlebar rocker switch control available for ATV 2500 and 3000 models
- Proven and efficient three-stage planetary gear system design
- 0.9 HP 12V DC efficient permanent magnet motor with significantly less AMP draw than the competition
- Output planetary gear system has 50% greater gear contact surface than the competition for increased strength and durability
- Large knob cam action clutch for free spooling
- 50 ft of 3/16" galvanized aircraft cable with replaceable clevis hook on ATV 2500
- ATV 3000 comes equipped with your choice of 50 ft of 3/16" galvanized aircraft cable or Technora™ fiber rope with standard 3 ft rock shield
- Full load cable anchor for maximum pulling distance
- Weather resistant contactor assembly
- Optional automatic load-holding brake for strength and reliability
- 6 ft 6 gauge battery cables with connectors
- 4-way roller fairlead standard
- Hawse fairlead standard with ATV 3000 and ATV 2500 manual rotary remote packages
- Limited lifetime warranty

FEATURES HONCHO UTV 5000

- Dash mounted toggle switch to control winch operation
- Wireless remote with antenna available
- 12' remote pendant available
- Proven three-stage planetary gear system design for fast line speed
- 1.3 HP 12V DC efficient permanent magnet motor
- Cam action clutch disengages planetary system for free spooling
- 60 ft of 7/32" galvanized aircraft cable with replaceable clevis hook
- 8 ft of 4 gauge battery cables with connectors
- Toggle switch standard
- Automatic load holding brake
- Weather resistant solenoid assembly
- 4-way roller fairlead
- Limited lifetime warranty

Proven and efficient three-stage planetary gear system design

ATV2500



Note: Fairlead does not attach directly to winch.

Part # 115004
Includes ATV 2500 with handlebar rocker switch



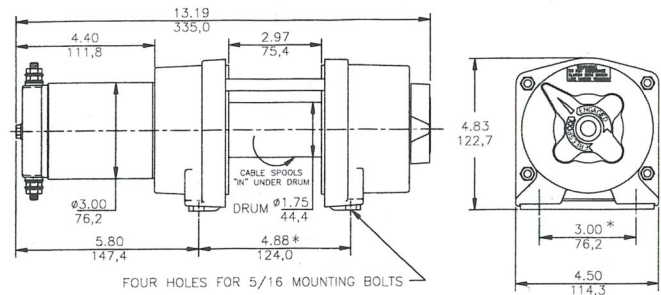
Part # 115002 & 115003
Includes ATV 2500 with remote mounted manual rotary switch control



Part # 115000
Includes ATV 2500 with wireless remote

Specifications

- Rated line pull (single line) 2,500 lb (1,133 kg)
- Gear reduction ratio :136:1
- Motor Permanent magnet - 0.9 hp (12V) DC
- Overall dimensions (LxWxH) 13.19" x 4.50" x 4.83"
(335 mm x 114 mm x 123 mm)
- Drum size Diameter 1.75" (44 mm)
Length 2.97" (76 mm)
- Weight 21 lb (9.5 kg)
- Cable supplied 50 ft (15 m) of 3/16" (4.8 mm) galvanized aircraft cable with replaceable clevis hook
- Mounting bolt pattern 3.00 ± .015 IN x 4.88 ± .015 IN
(76.2 mm x 124.0 mm)



* MOUNTING BOLT PATTERN:
FOUR ϕ .34 HOLES IN A $4.88 \pm .015 \times 3.00 \pm .015$ (123.9mm x 76.2mm) RECTANGULAR PATTERN

Line Speed and Amp Draw - First Layer

Line Pull	lb	kg	no load	500	1000	1500	2000	2500
				227	453	680	906	1133
Line Speed	fpm		20.8	17.6	15	12.3	10.2	8.5
	mpm		6.3	5.3	4.5	3.8	3.0	2.6
Motor Current	amps		18	45	63	84	96	121

Line Pull and Cable Capacity

Layer of Cable		1	2	3	4	5
Rated Line	lb	2500	2090	1800	1580	1400
Pull per Layer	kg	1133	947	815	716	634
Cable Capacity per Layer	ft	7	15	25	37	50
	m	2.12	4.56	7.6	11.3	15.2

- ATV 2500 R 12V - wireless remote Part # 115000
- ATV 2500 H 12V - manual switch remote Part # 115002
- ATV 2500 R 12V - manual switch remote Part # 115003
- ATV 2500 R 12V - handlebar rocker switch Part # 115004
- ATV 2500 R 12V - wireless remote with brake Part # 115005
- R - 4-way roller fairlead
- H - Hawse fairlead



ATV3000



Note: Fairlead does not attach directly to winch.



Extremely strong Technora™ fiber rope with excellent heat resistance

Part # 110264
Includes ATV 3000 with handlebar rocker switch



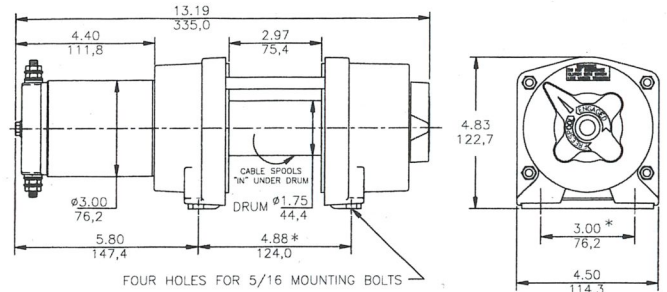
Output planetary gear system has 50% greater gear contact surface than the competition for increased strength and durability



Part # 110270 Includes ATV 3000 with wireless remote

SPECIFICATIONS

- Rated line pull (single line) 3,000 lb (1,360 kg)
- Gear reduction ratio 136:1
- Motor Permanent magnet - 0.9 hp (12V) DC
- Overall dimensions (LxWxH) 13.19" x 4.50" x 4.83"
(335 mm x 114 mm x 123 mm)
- Drum size Diameter 1.75" (44 mm)
Length 2.97" (76 mm)
- Weight 21 lb (9.5 kg)
- Cable / Rope Supplied:
- Cable supplied 50 ft (15 m) of 3/16" (4.8 mm) galvanized aircraft cable with replaceable clevis hook
- Rope supplied 50 ft (15 m) of 3/16" (4.8 mm) extremely strong Technora™ fiber rope with excellent heat resistance with standard 3 ft rock shield (optional)
- Mounting bolt pattern 3.00 ± .015 IN x 4.88 ± .015 IN
(76.2 mm x 124.0 mm)



* MOUNTING BOLT PATTERN: FOUR Ø.34 HOLES IN A 4.88±.015 x 3.00±.015 (123.9mm x 76.2mm) RECTANGULAR PATTERN

Line Speed and Amp Draw - First Layer

Line Pull	lb	no	500	1000	1500	2000	2500	3000
	kg	load	227	453	680	906	1133	1360
Line Speed	fpm	20.8	17.6	15	12.3	10.2	8.5	5.0
	mpm	6.3	5.3	4.5	3.8	3.0	2.6	1.5
Motor Current	amps	18	45	63	84	96	121	150

Line Pull and Cable Capacity

Layer of Cable		1	2	3	4	5
Rated Line Pull per Layer	lb	3000	2500	2100	1890	1680
	kg	1360	1133	952	857	761
Cable Capacity per Layer	ft	7	15	25	37	50
	m	2.12	4.56	7.6	11.3	15.2

- ATV 3000 R 12V - wireless remote Part # 110262
- ATV 3000 R 12V - handlebar rocker switch Part # 110264
- ATV 3000 H 12V - wireless remote, synthetic rope . . Part # 110270
- R - 4-way roller fairlead
- H - Hawse fairlead



HONCHO

UTV5000

1.3 HP 12V DC efficient permanent magnet motor

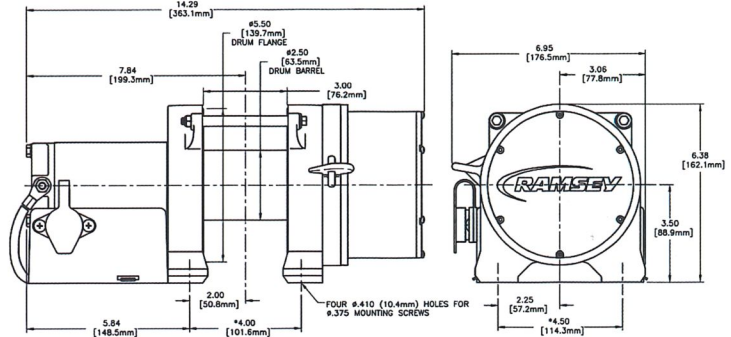


Proven and efficient three-stage planetary gear system design

Note: Fairlead does not attach directly to winch.

SPECIFICATIONS

- Rated line pull (single line) 5,000 lb (2,260 kg)
- Gear reduction ratio 294:1
- Motor Permanent magnet - 1.3 hp (12V) DC
- Overall dimensions (LxWxH) 14.29" x 6.95" x 6.38"
(363.1 mm x 176.5 mm x 162.1 mm)
- Drum size Diameter 2.5" (63 mm)
Length 3.0" (76.2 mm)
- Weight 32.6 lb
(14.8 kg winch, cable and hook)
- Cable supplied 60 ft (18.3 m) of 7/32" (5.6 mm) galvanized aircraft cable with replaceable clevis hook
- Mounting bolt pattern 4.50 ± .015 IN x 4.00 ± .015 IN
(114.3 mm x 101.6 mm)



*MOUNTING BOLT PATTERN:
FOUR #4-10 HOLES IN A 4.50±.015 X 4.00±.015 (114.3mm X 101.6mm) RECTANGULAR PATTERN.



Line Speed and Amp Draw - First Layer

Line Pull	lb	no load	1000	3000	5000
	kg		450	1350	2260
Line Speed	fpm	15	11	8	5
	mpm	4.5	3.3	2.4	1.5
Motor Current	amps	45	100	155	230

Line Pull and Cable Capacity

Layer of Cable		1	2	3	4	5	6
Rated Line Pull per Layer	lb	5000	4200	3600	3200	2800	2600
	kg	2270	1900	1630	1450	1270	1180
Cable Capacity per Layer	ft	5	15	30	40	55	60
	m	1.5	4.5	9	12.1	16.7	18.2

UTV 5000 R 12V- dash mounted toggle switch Part # 110272
R - 4-way roller fairlead