

RAMSEY WINCH

SCH 2900

Ramsey sevice crane hoists are developed to meet a need for increased line speed of crane applications and other industrial uses. Features single lubricant for all temp ranges and are light weight.

WARNING

Hoists are NOT to be used to lift, support or otherwise transport personnel.



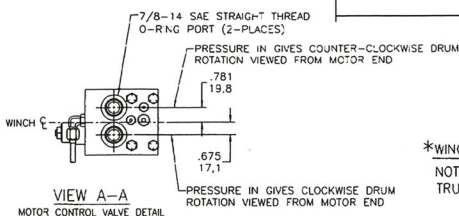
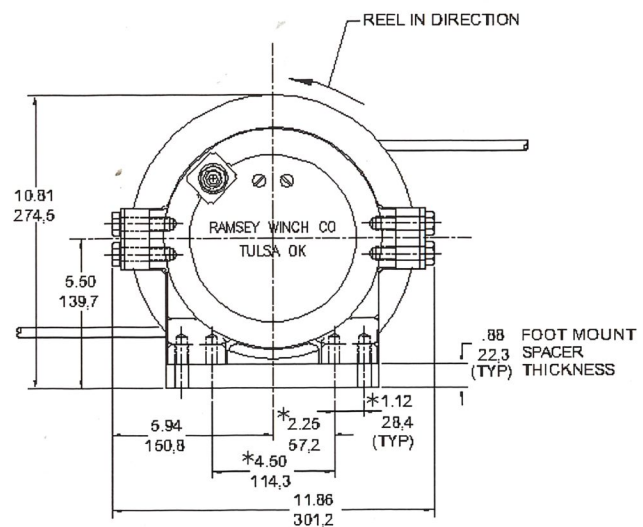
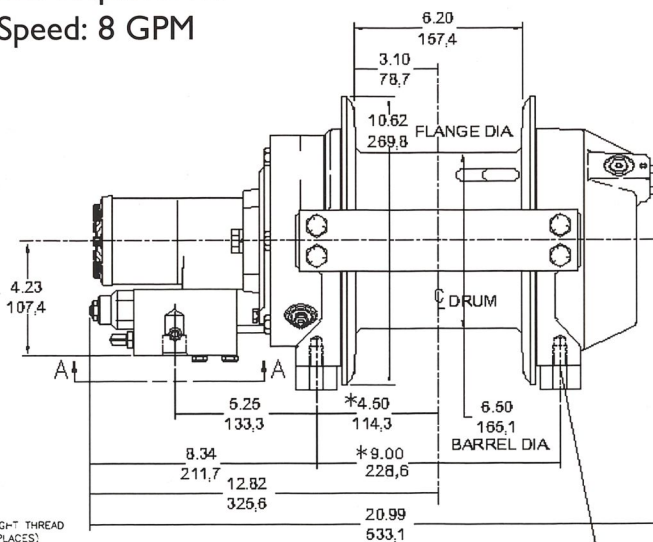
Part Number 123309

Specifications:

- Rated Line Pull: 2,900 lbs. (First Layer) (1,310 kgs)
- Gear Reduction Ratio: 5.1:1
- Weight 118 lbs. (54 kgs) without cable
- Recommended Wire Rope Size: 5/16 in.
- Hydraulic Pressure Required for Rated Line Pull: 1,800 PSI
- Hydraulic Flow required for Rated Line Speed: 8 GPM

Layer of Cable

		1	2	3
Line Pull	lbs	2900	2600	2400
	kgs	1310	1170	1080
Line Speed	fpm	59	63	68
	mpm	17.9	19.1	20.6
Cable Capacity	ft	30	65	100
	m	9	19	30

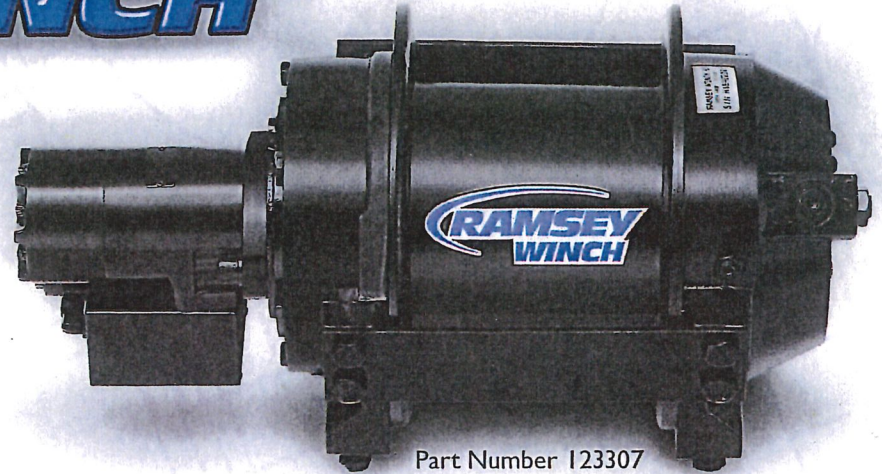


1/2-13UNC x .75" (19,1mm) DEEP TAPPED HOLE (4-PLACES EACH END BEARING)

*WINCH MOUNTING CAPSCREWS MUST MEET OR EXCEED SAE GRADE 5 SPECIFICATION
NOTE: THESE HOLE LOCATIONS MUST BE HELD WITHIN ±.03" (0,8 MM) OF TRUE POSITION. RECOMMENDED MOUNTING HOLE DIAMETER IS .53" (13,5 MM).

DIMENSIONS SHOWN ARE INCHES OVER MILLIMETERS

RAMSEY WINCH



Part Number 123307

SCH 3600

Ramsey sevice crane hoists are developed to meet a need for increased line speed of crane applications and other industrial uses. Features single lubricant for all temp ranges and are light weight.

WARNING

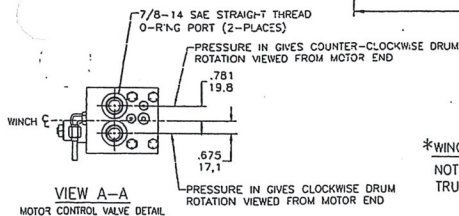
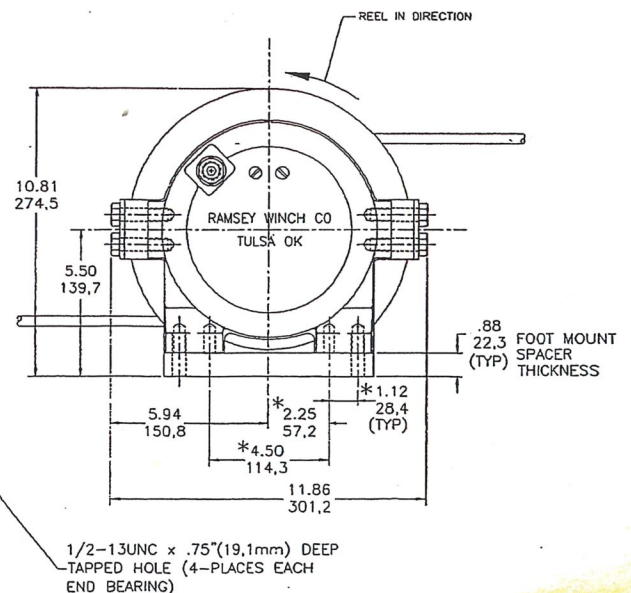
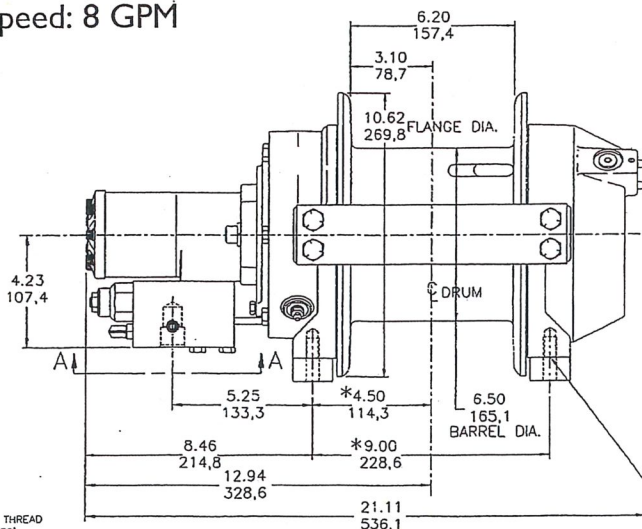
Hoists are NOT to be used to lift, support or otherwise transport personnel.

Specifications:

- Rated Line Pull: 3,600lbs. (First Layer) (1,630 kgs)
- Gear Reduction Ratio: 5.1:1
- Weight 120 lbs. (55 kgs) without cable
- Recommended Wire Rope Size: 3/8 in.
- Hydraulic Pressure Required for Rated Line Pull: 1,800 PSI
- Hydraulic Flow required for Rated Line Speed: 8 GPM

Layer of Cable

		1	2	3	4
Line Pull	lbs	3600	3200	2900	2700
	kgs	1630	1450	1310	1220
Line Speed	fpm	48	52	56	60
	mpm	14	15.8	17	18.2
Cable Capacity	ft	25	55	85	120
	m	7	16	25	36



*WINCH MOUNTING CAPSCREWS MUST MEET OR EXCEED SAE GRADE 5 SPECIFICATION
NOTE: THESE HOLE LOCATIONS MUST BE HELD WITHIN $\pm 0.03"$ (0.8 MM) OF TRUE POSITION. RECOMMENDED MOUNTING HOLE DIAMETER IS $.53"$ (13.5 MM).

DIMENSIONS SHOWN ARE INCHES OVER MILLIMETERS

www.ramsey.com

RAMSEY WINCH

SCH 4900

Ramsey sevice crane hoists are developed to meet a need for increased line speed of crane applications and other industrial uses. Features single lubricant for all temp ranges and are light weight.

WARNING

Hoists are NOT to be used to lift, support or otherwise transport personnel.



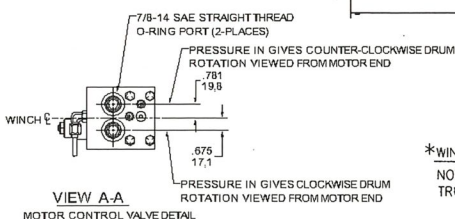
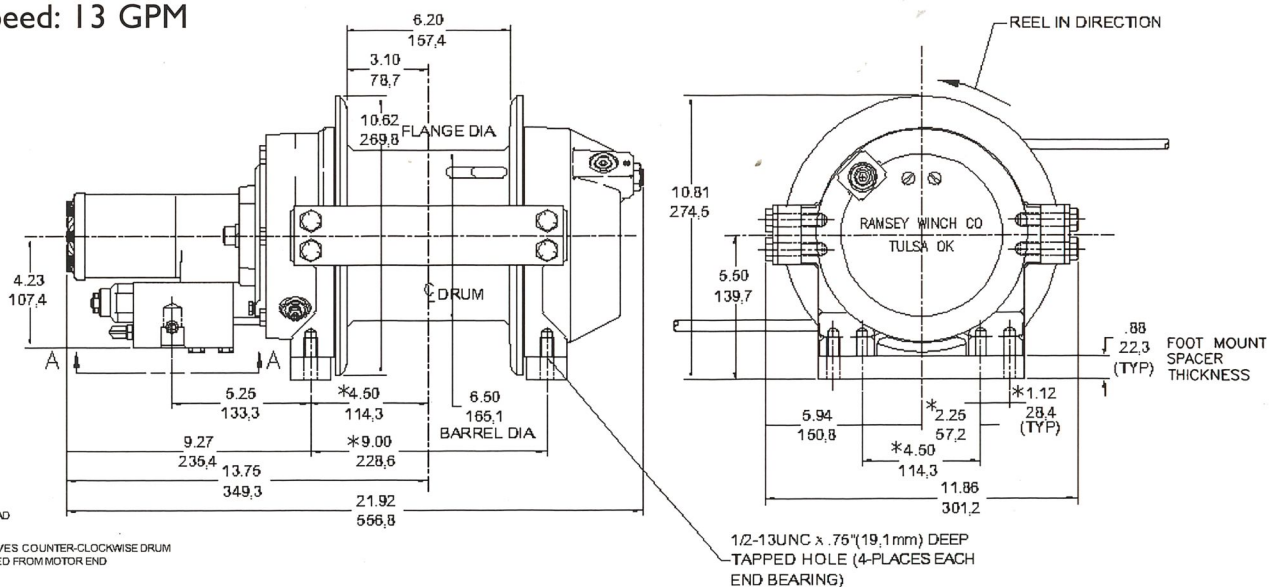
Part Number 123308

Specifications:

- Rated Line Pull: 4,900 lbs. (First Layer) (2,220 kgs)
- Gear Reduction Ratio: 5.1:1
- Weight 125 lbs. (57 kgs) without cable
- Recommended Wire Rope Size: 3/8 in.
- Hydraulic Pressure Required for Rated Line Pull: 1,600 PSI
- Hydraulic Flow required for Rated Line Speed: 13 GPM

Layer of Cable

		1	2	3	4
Line Pull	lbs	4900	4400	4000	3600
	kgs	2220	1990	1810	1630
Line Speed	fpm	51	55	59	64
	mpm	15.5	16.7	17.9	19.5
Cable Capacity	ft	25	55	85	120
	m	7	16	25	36



*WINCH MOUNTING CAPSCREWS MUST MEET OR EXCEED SAE GRADE 5 SPECIFICATION
NOTE: THESE HOLE LOCATIONS MUST BE HELD WITHIN $\pm 0.3"$ (0.8 MM) OF TRUE POSITION. RECOMMENDED MOUNTING HOLE DIAMETER IS $.53"$ (13.5 MM).

DIMENSIONS SHOWN ARE INCHES OVER MILLIMETERS

www.ramsey.com

RAMSEY WINCH

SCH 8500

Ramsey sevice crane hoists are developed to meet a need for increased line speed of crane applications and other industrial uses. Features single lubricant for all temp ranges and are light weight.

WARNING

Hoists are NOT to be used to lift, support or otherwise transport personnel.

Specifications:

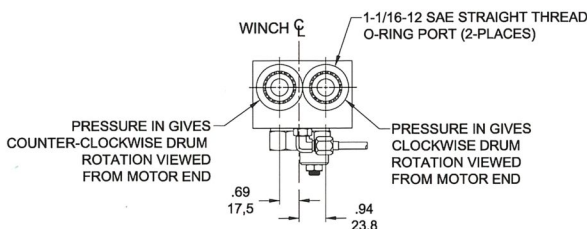
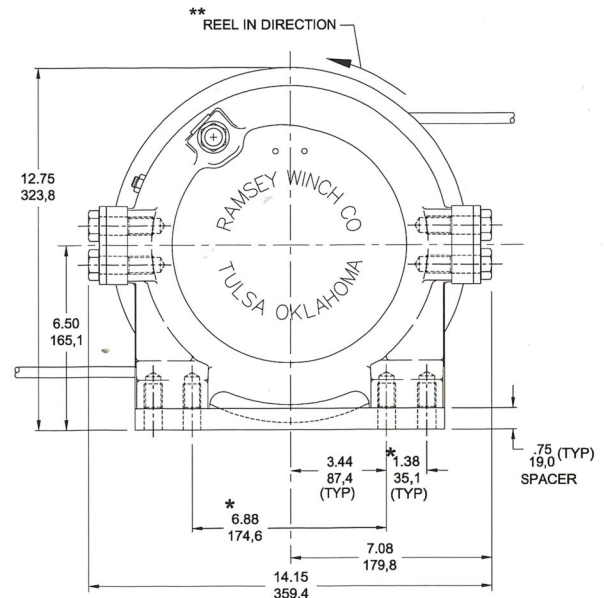
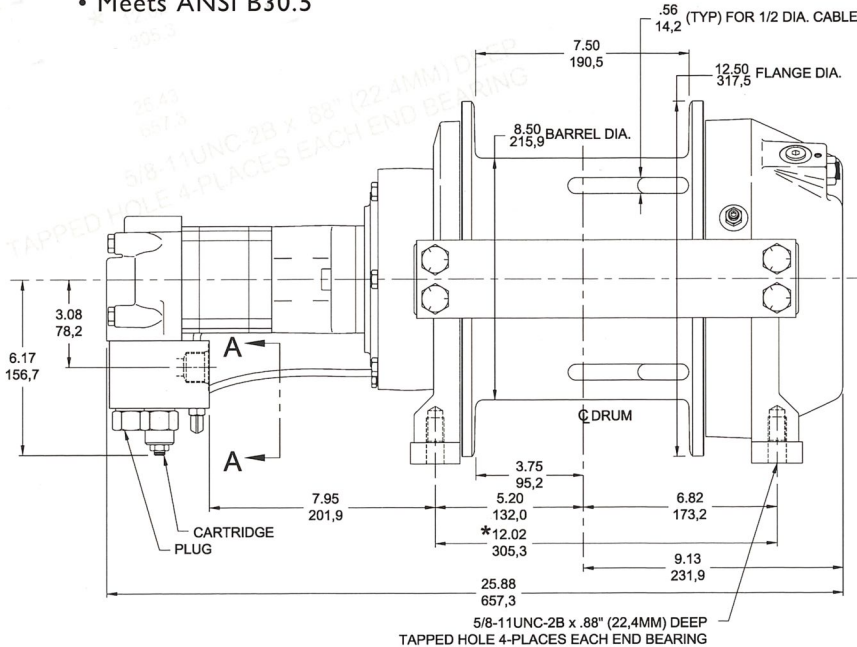
- Rated Line Pull: 8,500 lbs. (First Layer) (3,850 kgs)
- Gear Reduction Ratio: 7.7:1
- Weight 295 lbs. (134 kgs) without cable
- Recommended Wire Rope Dia: 1/2 in.
- Hydraulic Pressure Required for Rated Line Pull: 2,100 PSI
- Hydraulic Flow required for Rated Line Speed: 15 GPM
- 18.7 Cu In motor
- Meets ANSI B30.5



Part Number 123419

Layer of Cable

		1	2	3
Line Pull	lbs	8500	7600	6900
	kgs	3850	3440	3120
Line Speed	fpm	49	54	59
	mpm	19	21	23
Cable Capacity	ft	30	65	100
	m	9	19	30



VIEW A-A
MOTOR CONTROL VALVE DETAIL

* WINCH MOUNTING CAPSCREWS MUST MEET OR EXCEED SAE GRADE 5 SPECIFICATION

NOTE: THESE HOLE LOCATIONS MUST BE HELD WITHIN $\pm 0.03"$ (0.8 MM) OF TRUE POSITION. RECOMMENDED MOUNTING HOLE DIAMETER IS .53" (13.5 MM).

** REEL-IN DIRECTION CAN BE REVERSED BY EXCHANGING POSITIONS OF THE PLUG AND CARTRIDGE IN COUNTERBALANCE VALVE.

DIMENSIONS SHOWN ARE INCHES OVER MILLIMETERS

RAMSEY WINCH

Heavy Duty Planetary HD-P 10,000



- Rated Line pull 10,000 lbs
- Recommended cable 7/16"
- Available with a Blocked Clutch
- Motor spool (open center) directional control valve required
- Available with air shift
- Meets SAE J706
- Made in the USA



HD-P 10,000 Features

- Spring applied, hydraulic released multi disc brake
- Quiet brake, designed for low maintenance
- High efficiency planetary gear set
- Foot mount or mid mount
- Fairlead and cable tension optional
- Manual or air operated free spool
- Winch reel-in rotation can be changed by reversing position of cartridge and plug in counterbalance valve

Winch Dimensions

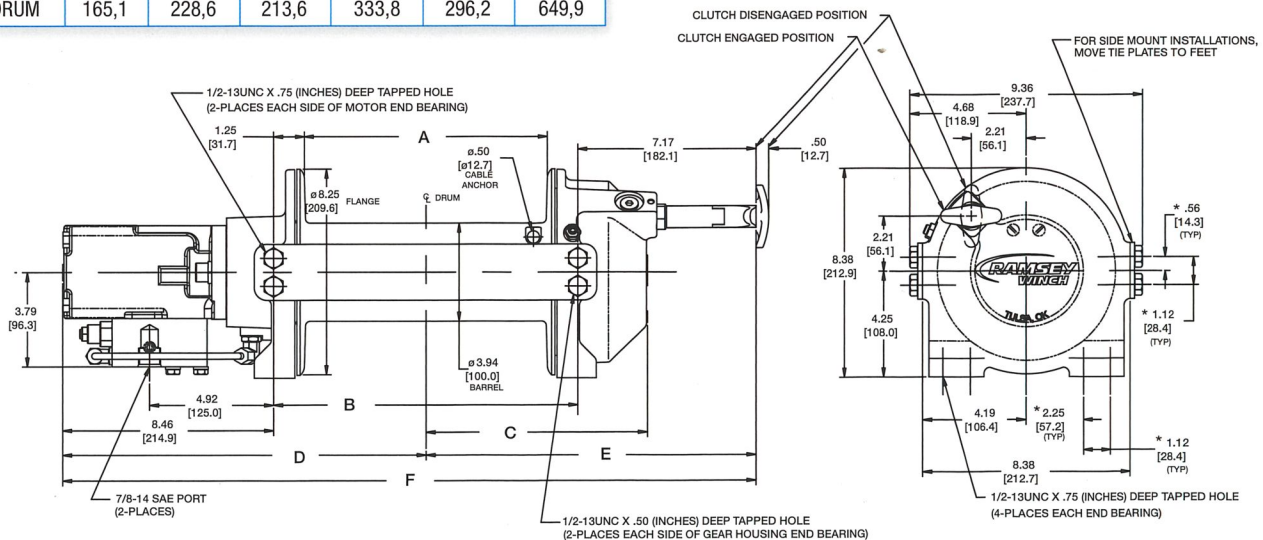
WINCH MODEL	A INCHES MM	B INCHES MM	C INCHES MM	D INCHES MM	E INCHES MM	F INCHES MM
HD-P 10,000 STD. DRUM	9.75 247,7	12.25 311,2	10.04 255,0	15.55 344,9	13.28 337,4	28.84 732,5
HD-P 10,000 "Y" DRUM	6.50 165,1	9.00 228,6	8.41 213,6	13.93 333,8	11.66 296,2	25.59 649,9

Specifications

Rated Line Pull	10,000 lbs..... (4,530 kgs)
Gear Reduction 5.1:1
Weight (without cable)	HD-P 10,000-STD.....87 lbs. (39.5 kgs) HD-P 10,000 "Y".....82 lbs. (37.2 kgs)

LAYER OF CABLE		1	2	3	4
*RATED LINE PULL PER LAYER	Lbs. Kgs.	10,000 4,530	8,300 3,760	7,100 3,220	6,200 2,810
CABLE CAPACITY HD-P 8,000 (STD. DRUM)	Ft.	20	50	80	115
	M.	6	15	24	35
CABLE CAPACITY HD-P 8,000 ("Y" DRUM)	Ft.	15	30	55	75
	M.	4	9	16	22
LINE SPEED (at 15 GPM)	FPM	32	38	44	51
	(MPM)	(9.8)	(11.6)	(13.4)	(15.5)

* These specifications are based on recommended wire rope of 7/16" (11mm) galvanized aircraft cable, or EIPS cable and a 24.9 cu in. /Rev. motor.



Min. flow of 7 GPM required, working pressure of 2100 psi required to pull rated load.

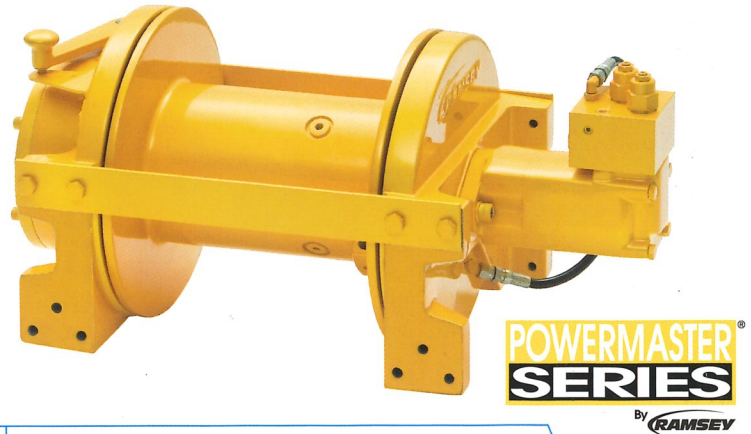


Planetary Winch POWERMASTER 15K

New POWERMASTER 15K planetary winch offers a compact design with reliable pulling power, pull after pull.

POWERMASTER 15K Features

- Easy to install, foot mount and mid mount
- Less weight
- New 15,000 SAE J706 high efficiency multi-stage planetary winch
- Internal braking system-spring applied hydraulic release
- Low profile envelope for compact installation saves weight and space
- Larger drum flanges capable of holding 220 ft. of 9/16" wire rope, SAE J706
- Optional air shift with integrated cylinder for easy clutch operation



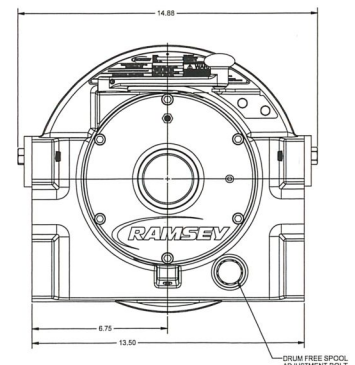
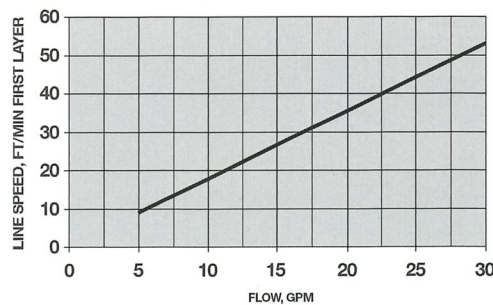
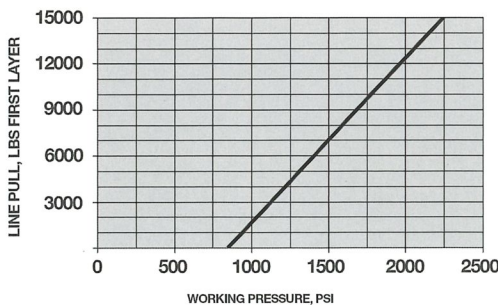
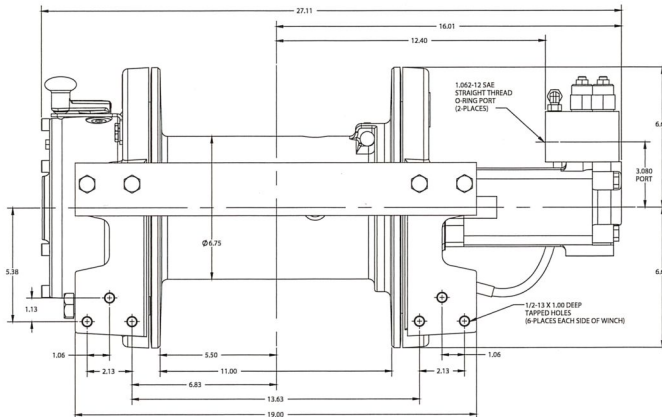
Specifications

Rated Line Pull	15,000 lbs..... (6800 kgs)
Gear Reduction 21:1
Weight (without cable) 337 lbs.
Max Flow 30 GPM
Working Pressure2250 PSI

LAYER OF CABLE		1	2	3	4	5
*RATED LINE PULL PER LAYER	Lbs.	15,000	13,000	11,400	10,200	9,200
	Kgs.	6,800	5,890	5,170	4,620	4,170
Cable Capacity	Ft.	30	70	115	165	220
	M	9	21	35	20	67
**LINE SPEED (at 30 GPM)	FPM	53	60	67	75	82
	(MPM)	(16.1)	(18.2)	(20.3)	(22.8)	(24.9)

* Cable capacity per layer

** These specifications are based on recommended wire rope of 9/16" (14 mm) diameter EIPS cable and a 11.9 cu.in. /Rev. motor.



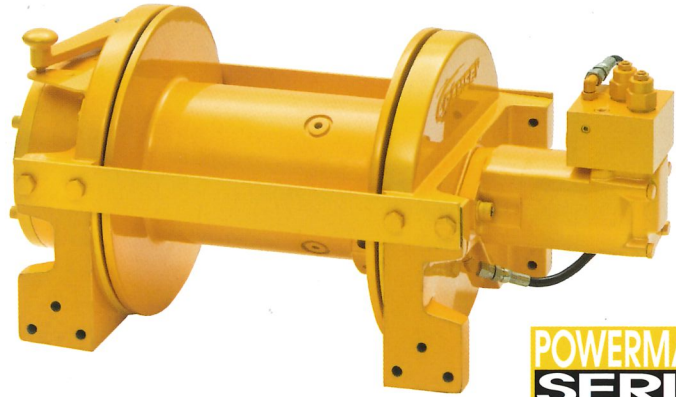
RAMSEY WINCH

Planetary Winch POWERMASTER 20K

New POWERMASTER 20K planetary winch offers a compact design with reliable pulling power, pull after pull.

POWERMASTER 20K Features

- Less weight - only 742 lbs. (200 lbs. lighter)
- New 20,000 SAE J706 high efficiency multi-stage planetary winch
- Internal braking system-spring applied hydraulic release
- Low profile envelope for compact installation saves weight and space
- Larger drum flanges capable of holding 220 ft. of 9/16" wire rope, SAE J706
- Optional air shift with integrated cylinder for easy clutch operation



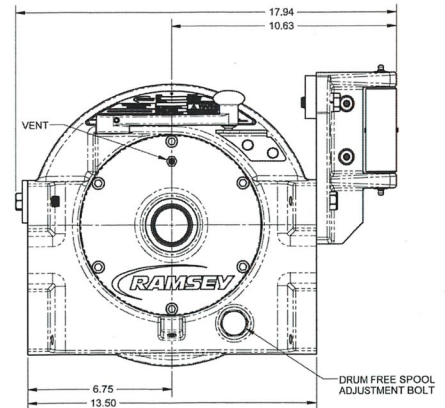
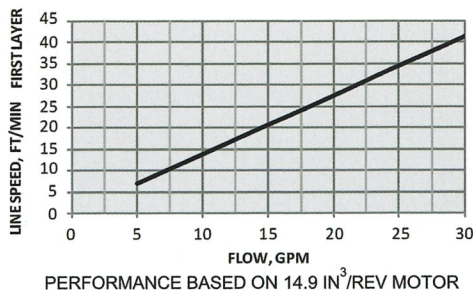
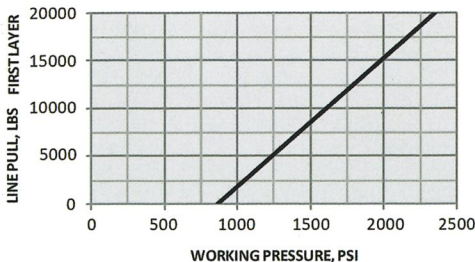
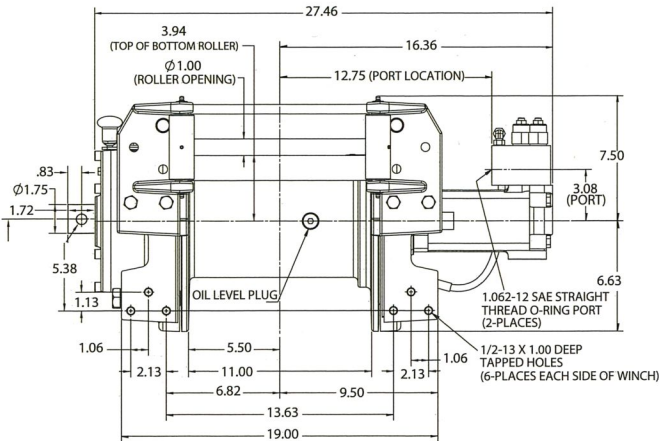
Specifications

Rated Line Pull	20,000 lbs (9070 kgs)
Gear Reduction 21:1
Weight (without cable) 337 lbs.
Max Flow 30 GPM
Working Pressure 2350 PSI

LAYER OF CABLE		1	2	3	4	5
*RATED LINE PULL PER LAYER	Lbs.	20,000	17,300	15,200	13,600	12,300
	Kgs.	9,070	7,840	6,890	6,160	5,570
20K Winch	Ft.	30	70	115	165	220
	M	9	21	35	20	67
**LINE SPEED (at 30 GPM)	FPM	42	47	53	59	65
	(MPM)	(12.8)	(14.3)	(16.1)	(17.9)	(19.8)

* Cable capacity per layer

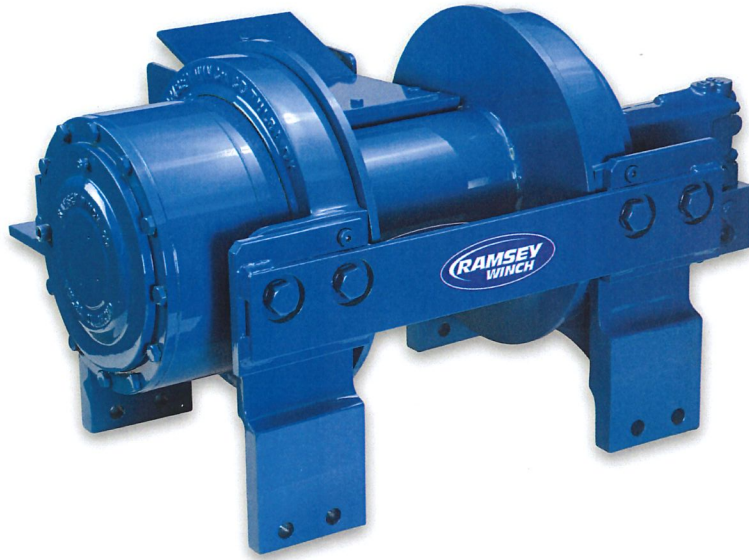
** These specifications are based on recommended wire rope of 9/16" (14 mm) diameter EIPS cable and a 14.9 cu.in./Rev. motor.





HD-P 40

Heavy Duty Planetary



40,000 lb

Rated Line Pull

Features and Benefits

- Fast line speed
 - Up to 24 ft/min under full load
- Compact design
 - Optimizes space usage
- Negative draft clutch design
 - Ensures positive hold on load
- Internal air-shift free spool
 - Enables remote operations
- Low temperature shifting (down to -40° F)
 - Allows for extreme cold weather operation
- High-efficiency gear set
 - Optimizes performance
- Pneumatic variable-pressure tensioner
 - Increases cable life and prevents bird-nesting
- Two speed motor
- 12V 2-speed shifting
 - Reliable control signal
- Bi-directional winch
 - Flexibility for over or under winding
- Cable anchors (2)
 - Left and right side
- Cable kickers
 - Optional accessory

HD-P 40 Specifications

Rated Line Pull (Low Speed)	40,000 lb (18,100 kg)
Weight (without Cable)	740 lb (336 kg)
Gear Reduction	51.35:1

HD-P 40 Standard Drum							
Layer of Cable		1	2	3	4	5	6
Rated Line Pull / Layer*	lb	40,000	33,500	28,800	25,300	22,500	20,300
	kg	18,100	15,100	13,000	11,400	10,200	9,200
Rated Line Pull / Layer*	lb	20,000	16,750	14,400	12,650	11,250	10,150
	kg	9,050	7,550	6,500	5,700	5,100	4,600
Line Speed – Low (at 25 GPM)*	FPM	24	28	32	36	40	44
	(MPM)	7.2	8.5	9.7	10.9	12.1	13.3
Line Speed – High (at 25 GPM)*	FPM	48	56	64	72	80	88
	(MPM)	14.4	17	19.4	21.8	24.2	26.6
Cable Capacity*	ft	25	55	95	135	185	235
	m	7	16	28	41	56	71

*Specifications based on recommended wire rope of .75 inch dia. EIPS cable and 9.6 cu. in./rev. motor at 2800 psi working pressure.
 – Directional control valve: 3-position, 4-way motor spool.
 – Winch meets SAE J706.

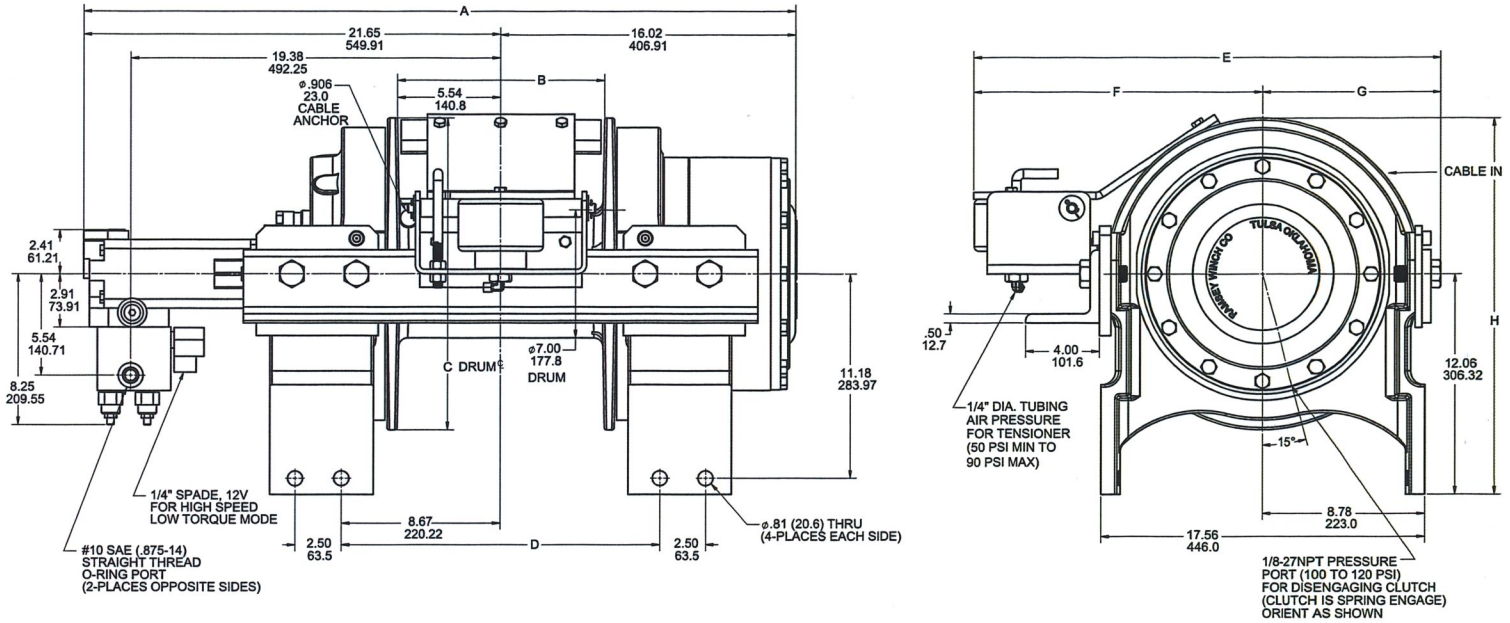
Ramsey Winch® is a brand of Ramsey Industries, Inc. Engineered to be the best, Ramsey Winch is committed to the ongoing improvement of its products. Ramsey Winch reserves the right to make changes to our products without notice.

4707 N. Mingo Road, Tulsa, OK 74117 | Phone: 1-800-777-2760

ramsey.com

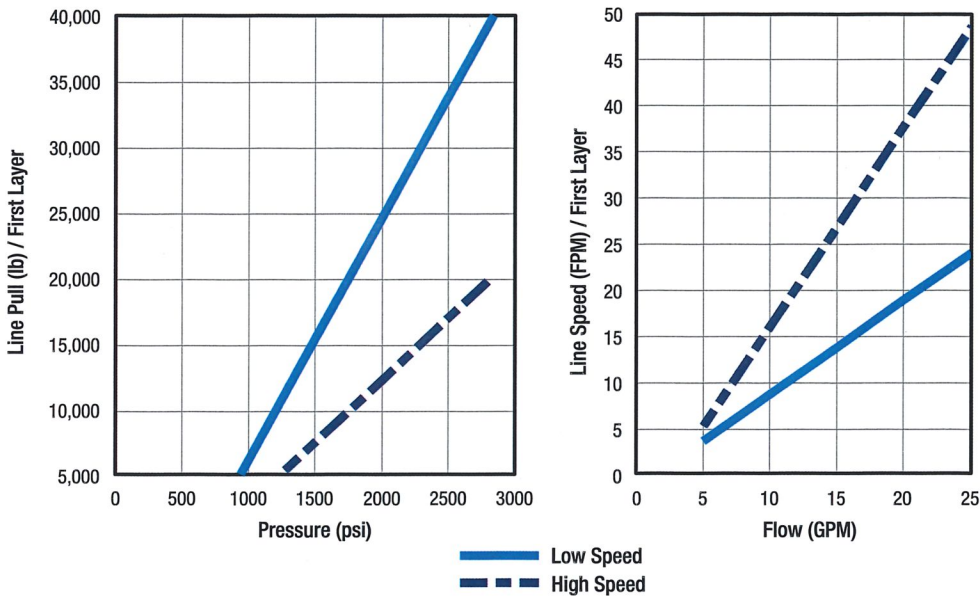
HD-P 40 Heavy Duty Planetary

Rated Line Pull **40,000 lb**



HD-P 40 Winch Dimensions								
Winch Model	A inches mm	B inches mm	C inches mm	D inches mm	E inches mm	F inches mm	G inches mm	H inches mm
Standard Drum	37.67 956.8	11.09 281.7	17.06 433.3	17.34 440.4	25.38 644.6	16.00 406.4	9.38 238.2	20.59 523.0

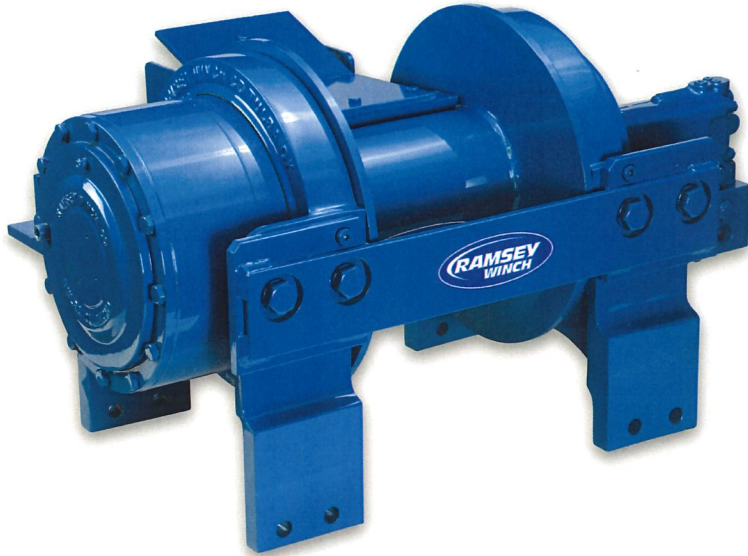
Performance with 9.6/4.8 in³ 2-Speed Hydraulic Motor





HD-P 50

Heavy Duty Planetary



50,000 lb

Rated Line Pull

Features and Benefits

- Less weight
 - 200 lbs lighter than the competition
- Fast line speed
 - Up to 20 ft/min under full load
- Compact design
 - Optimizes space usage
- Negative draft clutch design
 - Ensures positive hold on load
- Internal air-shift free spool
 - Enables remote operations
- Low temperature shifting (down to -40° F)
 - Allows for extreme cold weather operation
- High-efficiency gear set
 - Optimizes performance
- Pneumatic variable-pressure tensioner
 - Increases cable life and prevents bird-nesting
- Two speed motor
- 12V 2-speed shifting
 - Reliable control signal
- Bi-directional winch
 - Flexibility for over or under winding
- Cable anchors (2)
 - Left and right side
- Cable kickers
 - Optional accessory

HD-P 50 Specifications

Rated Line Pull (Low Speed)	50,000 lb (22,670 kg)
Weight (without Cable)	742 lb (341 kg)
Gear Reduction	51.35:1

HD-P 50 Standard Drum							
Layer of Cable		1	2	3	4	5	6
Rated Line Pull / Layer* (Low Speed)	lb	50,000	41,800	36,000	31,600	28,100	25,400
	kg	22,680	18,960	16,320	14,330	12,740	11,520
Rated Line Pull / Layer* (High Speed)	lb	25,000	20,900	18,000	15,800	14,050	12,700
	kg	11,340	9,480	8,160	7,165	6,370	5,760
Line Speed – Low (at 25 GPM)*	FPM	20	22	25	28	31	35
	(MPM)	5.6	6.6	7.6	8.6	9.5	10.5
Line Speed – High (at 25 GPM)*	FPM	40	44	50	56	62	70
	(MPM)	11.2	13.2	15.2	17.2	19	21
Cable Capacity* Standard Drum	ft	25	55	95	135	185	235
	m	7	16	28	41	56	71

*Specifications based on recommended wire rope of .75 inch dia. EIPS cable and 11.9 cu. in./rev. motor at 2900 psi working pressure.
 – Directional control valve: 3-position, 4-way motor spool.
 – Winch meets SAE J706.

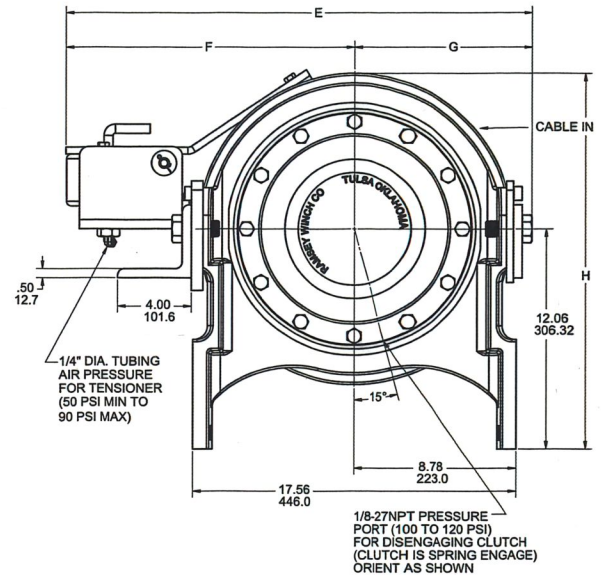
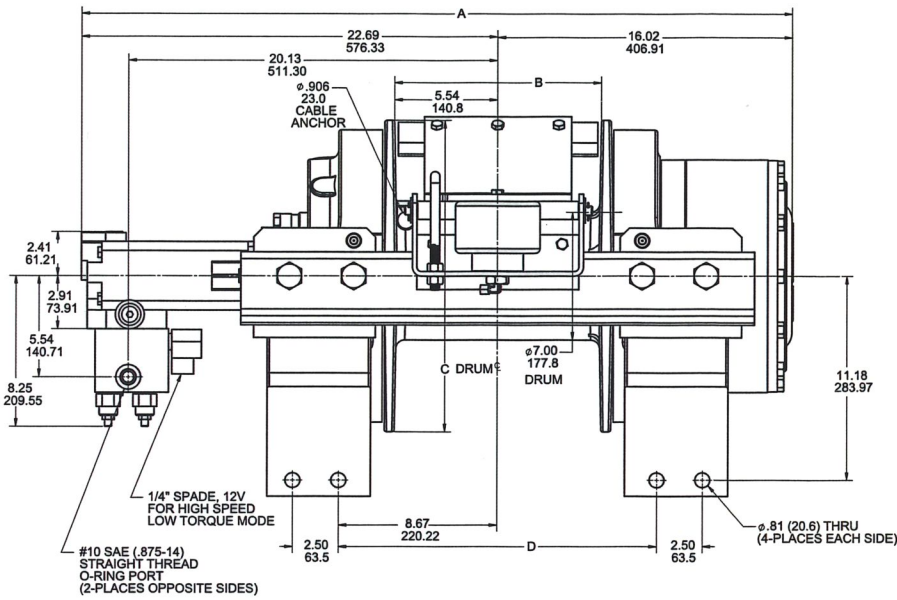
Ramsey Winch® is a brand of Ramsey Industries, Inc. Engineered to be the best, Ramsey Winch is committed to the ongoing improvement of its products. Ramsey Winch reserves the right to make changes to our products without notice.

4707 N. Mingo Road, Tulsa, OK 74117 | Phone: 1-800-777-2760

ramsey.com

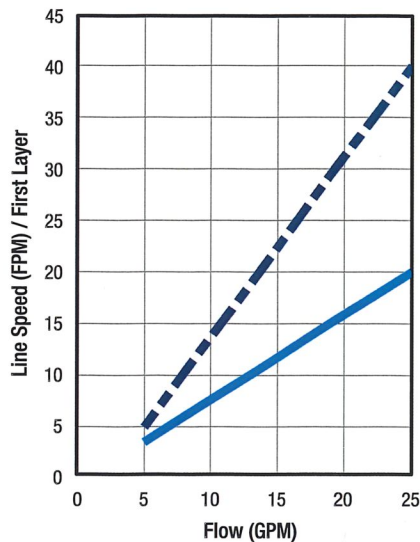
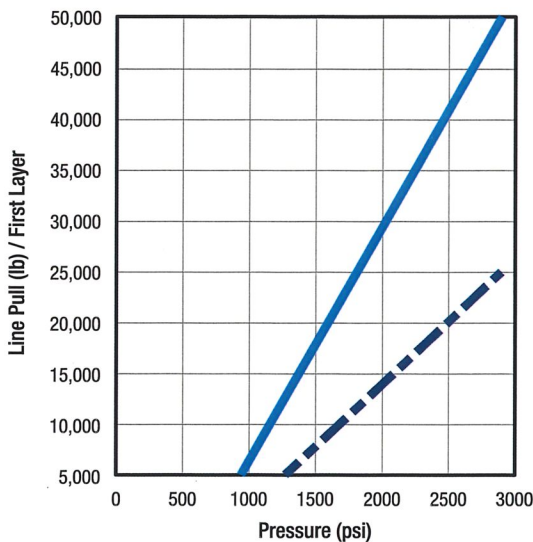
HD-P 50 Heavy Duty Planetary

Rated Line Pull **50,000 lb**



HD-P 50 Winch Dimensions								
Winch Model	A inches mm	B inches mm	C inches mm	D inches mm	E inches mm	F inches mm	G inches mm	H inches mm
Standard Drum	38.01 965.5	11.09 281.7	17.06 433.3	17.34 440.4	25.38 644.6	16.00 406.4	9.38 238.2	20.59 523.0

Performance with 11.9/5.95 in³ 2-Speed Hydraulic Motor



— Low Speed
- - - High Speed



Drill Rig

Geophysical Exploration

Winch Truck

Demolition

Frac Truck

UNMATCHED PULLING POWER AND LOAD CONTROL ON ALL WILDCAT OILFIELD PLANETARY GEAR WINCHES

WILDCAT
WINCH SERIES
By **RAMSEY**



130K WINCH



100K WINCH



80K WINCH



60K WINCH



50K WINCH



Designed for demanding applications, the Wildcat offers a broad range of pulling power perfect for winch trucks, frac trucks, drilling rigs, cementing vehicles, geophysical explorations and more. Add to that Ramsey's reputation for reliability and it's easy to see why a Wildcat should be your next winch.

Each Wildcat Winch comes with these features:

- *One piece spline clutch*
- *From 50,000 lbs. to 130,000 lbs. 1st layer line pull*
- *Highly efficient planetary gear set*
- *Spring applied hydraulic released brake for superior load control*
- *Air actuated band brake with clutch indicator switch*
- *2 speed gear motor*
- *Meets SAE J706*
- *Oilfield proven free spool clutch*
- *Symmetrical design offers stream line mounting and ease of operation*

RAMSEY
WINCH

Visit our website at www.ramsey.com or call us at 1-800-777-2760.