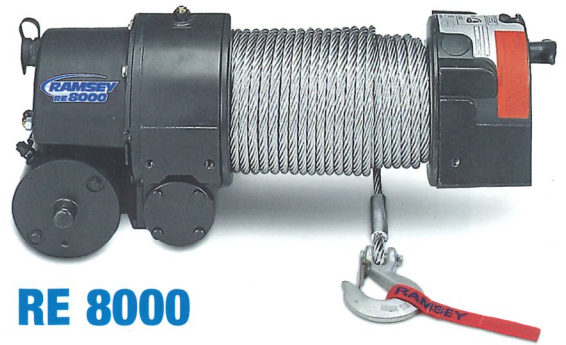
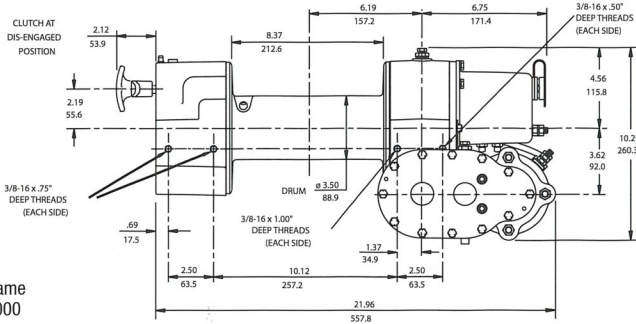


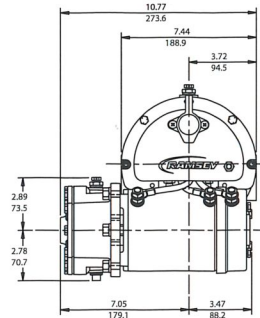
RE 12000



RE 8000



Dimensions are the same for RE 12,000 and 8000



Dimensions shown are inches over millimeters

Product Features

- Strong worm gear provides load reversing protection
- Motor and solenoids are grounded directly to battery
- Exclusive semi-automatic RAM-LOK™ clutch disengages for free spooling
- Weather resistant solenoid assembly
- 12 ft pendant
- 6 ft (1,83 m) 2 gauge battery cables with connectors
- 4-way roller fairlead
- Limited lifetime warranty

Specifications

Rated line pull (single line) 12,000 lb (5,440 kg)
 Gear reduction ratio . . . 470:1 (12V) (24V)
 Motor Series wound 4.8 hp (12V) – 2.5 hp (24V) DC
 Overall dimensions. . . . (LxWxH) 21.96" x 10.75" x 10.25"
 (558 mm x 273 mm x 260 mm)
 Drum size. Diameter 3.5" (89 mm) Length 8.38" (212 mm)
 Weight 135 lb (61 kg)
 Cable supplied 100 ft (30,5 m) or optional 125 ft (38 m) of
 3/8" (9 mm) galvanized aircraft cable with replaceable
 clevis hook with safety latch
 Note: 24V models have different dimensions. Consult factory.

Line Speed and Amp Draw – First Layer

Line Pull	lb	no load	2,000	8,000	10,000	12,000	
	kg	load	900	3,620	4,530	5,440	
Line Speed	fpm	16	8.6	4.4	3.8	3.3	
	mpm	4.9	2.6	1.3	1.2	1.0	
Motor Current	amps	12V	80	150	290	335	380
		24V	30	50	135	160	190

Line Pull and Cable Capacity

Layer of Cable		1	2	3	4
Rated Line Pull per Layer	lb	12,000	10,000	8,600	7,500
	kg	5,440	4,530	3,890	3,390
Cable Capacity per Layer	ft	20	40	70	100
	m	6	12	21	30

- RE 12,000 R 12V **Part# 112162**
- RE 12,000 H 12V **Part# 112163**
- RE 12,000 RX 12V **Part# 112169**
- RE 12,000 R 24V **Part# 110597**
- RE 12,000 R 12V w/ 25ft remote **Part# 112198**
- R - 4-way roller fairlead H - Hawse fairlead

Specifications

Rated line pull (single line) 8,000 lb (3,620 kg)
 Gear reduction ratio . . . 360:1 (12V) (24V)
 Motor Series wound 4.8 hp (12V) – 2.5 hp (24V) DC
 Overall dimensions. . . . (LxWxH) 21.96" x 10.75" x 10.25"
 (558 mm x 273 mm x 260 mm)
 Drum size. Diameter 3.5" (89 mm) Length 8.38" (212 mm)
 Weight 130 lb (59 kg)
 Cable supplied 150 ft (30,5 m) of 5/16" (8 mm) galvanized aircraft cable
 with replaceable clevis hook with safety latch
 Note: 24V models have different dimensions. Consult factory.

Line Speed and Amp Draw – First Layer

Line Pull	lb	no load	2,000	4,000	6,000	8,000	
	kg	load	900	1,810	2,720	3,620	
Line Speed	fpm	20	9.5	7.0	5.3	4.3	
	mpm	6.1	2.9	2.1	1.6	1.3	
Motor Current	amps	12V	90	170	235	302	370
		24V	36	75	105	140	170

Line Pull and Cable Capacity

Layer of Cable		1	2	3	4	5
Rated Line Pull per Layer	lb	8,000	6,800	6,000	5,300	4,800
	kg	3,620	3,080	2,710	2,400	2,170
Cable Capacity per Layer	ft	20	50	80	120	150
	m	6	15	24	36	45

- RE 8000 R 12V **Part# 112158**
- RE 8000 R 24V **Part# 110414**
- RE 8000 H 12V **Part# 112159**
- R - 4-way roller fairlead H - Hawse fairlead